

PARTS LIST

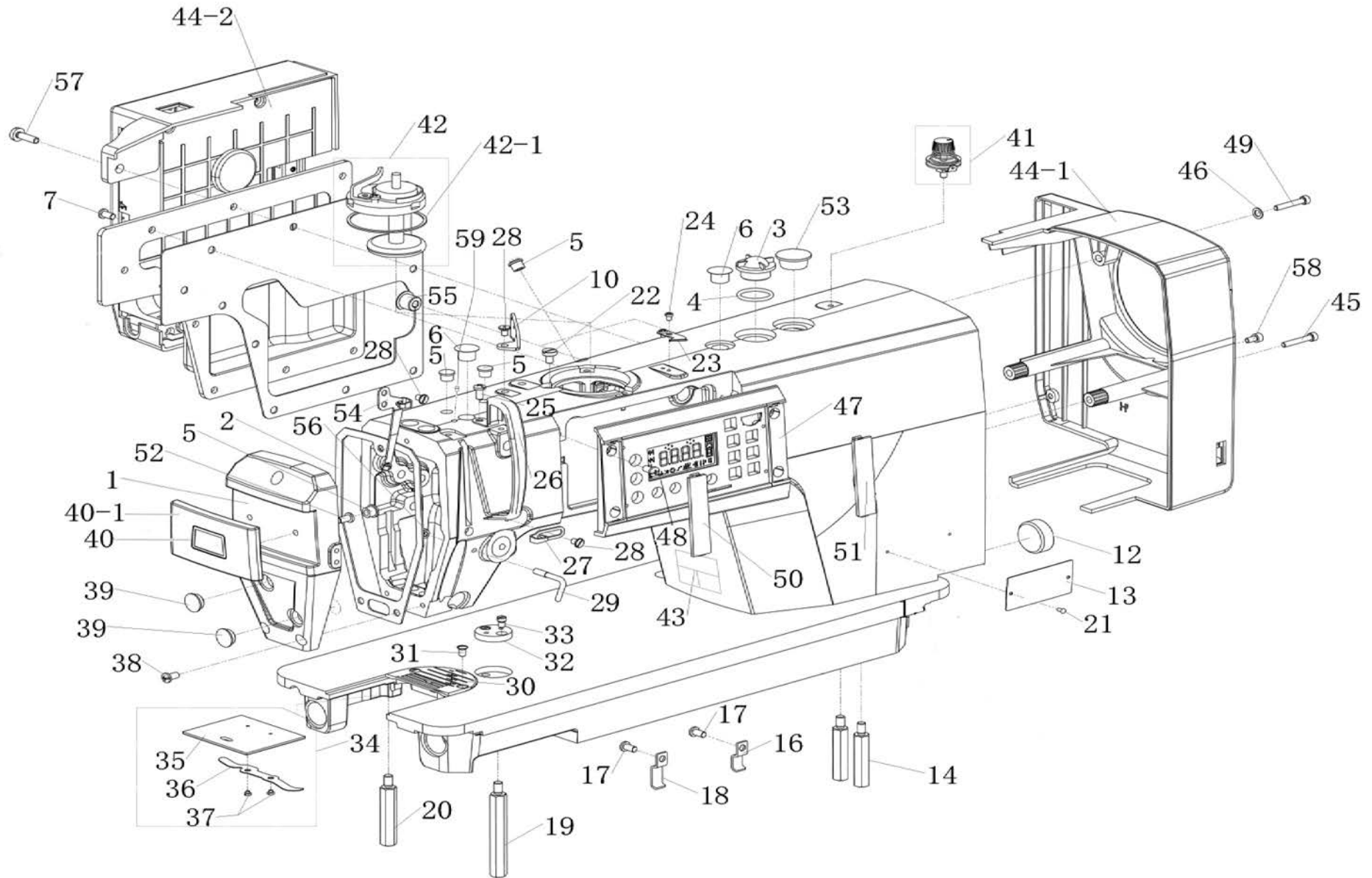
L-1D Series

PARTS LIST

CONTENTS

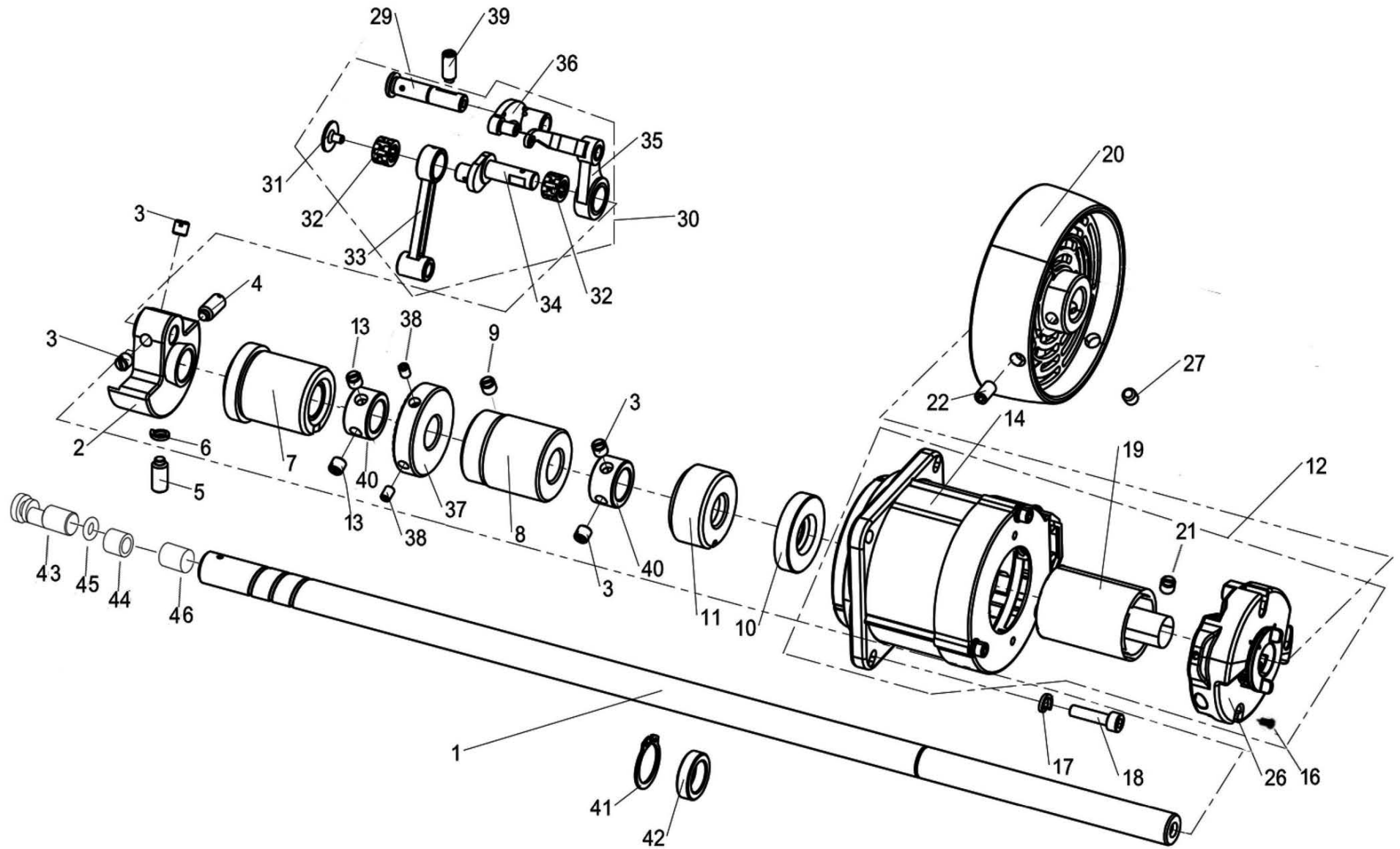
| | |
|---|----|
| 1. MACHINE FRAME & MISCELLANEOUS COVER COMPONENTS..... | 1 |
| 2. MAIN SHAFT & THREAD TAKE-UP COMPONENTS | 3 |
| 3. NEEDLE BAR & THREAD TENSION COMPONENTS..... | 5 |
| 4. PRESSER BAR & TENSION RELEASE COMPONENTS | 7 |
| 5. HOOK OF DRIVING SHAFT COMPONENTS..... | 9 |
| 6. FEED MECHANISM COMPONENTS | 11 |
| 7. STEPPER FEED REGULATING COMPONENTS..... | 13 |
| 8. THREAD TRIMMER COMPONENTS | 15 |
| 9. ELECTRIC CLAMP COMPONENTS | 17 |
| 10. LUBRICATION COMPONENTS | 19 |
| 11. PRESSER FOOT COMPONENTS OF OIL PLATE KNEE LIFT..... | 21 |
| 12. COMPONENTS OF THREAD-RUNNING STAND..... | 23 |
| 13. AUXILIARIES..... | 25 |
| 14. AUTOMATIC PRESSER FOOT LIFTER COMPONENTS | 27 |

1. MACHINE FRAME & MISCELLANEOUS COVER COMPONENTS



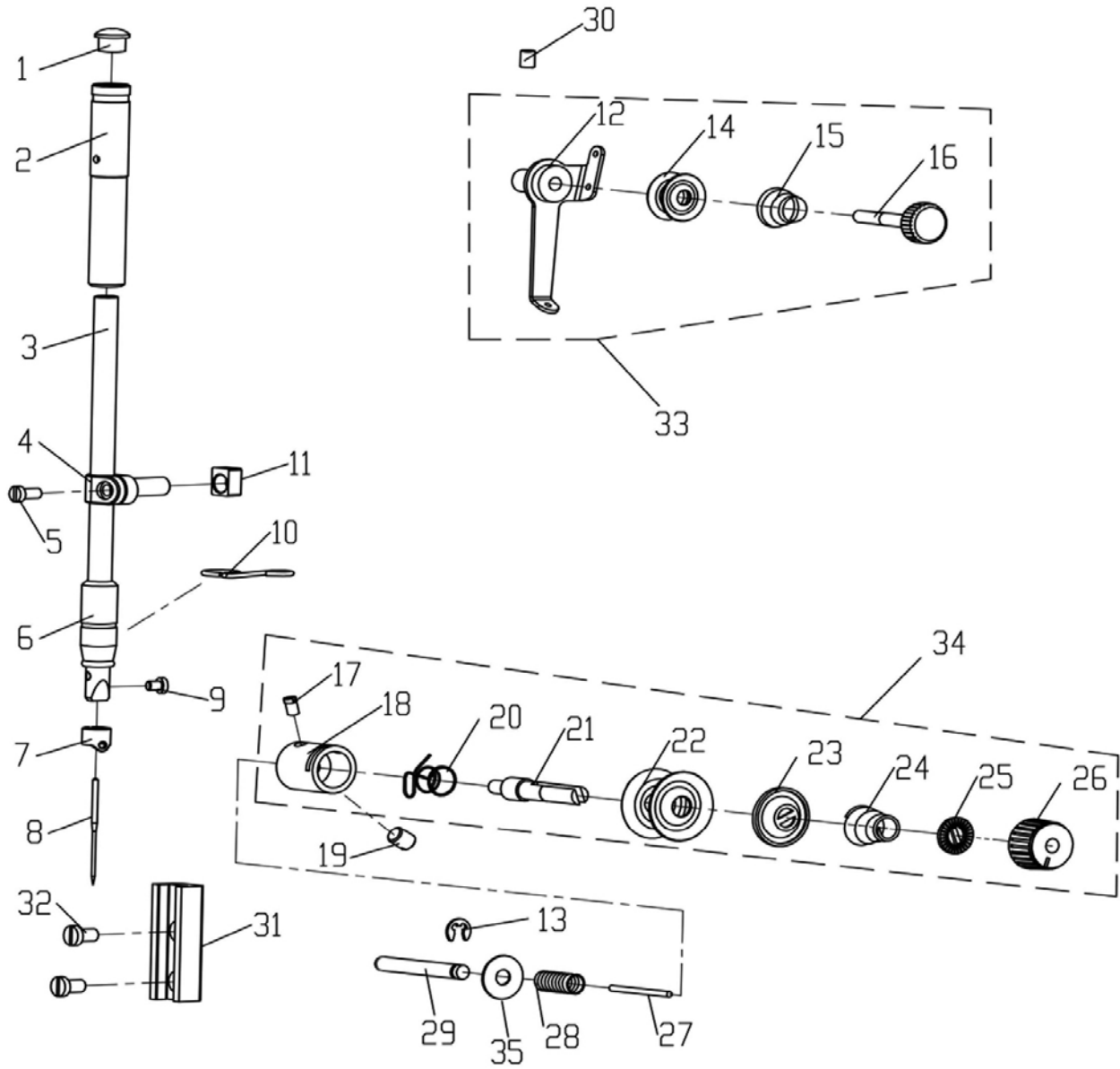
| Ref. No | Part No | Description | QTY |
|---------|---------------------|--------------------------------|-----|
| 1 | JINPFS5T0101 | FACE PLATE | 1 |
| 2 | JINPFS5T0102 | FACE PLATE GASKET | 1 |
| 3 | JINPF5550824 | OIL WINDOW | 1 |
| 4 | JINPF5550825 | THRUST COLLAR ASM | 1 |
| 5 | JINPF5550113 | RUBBER PLUG | 5 |
| 6 | JINPF5550112 | RUBBER PLUG | 2 |
| 7 | JINPF555016 | SCREW | 7 |
| 10 | JINPF0302113 | OVER LINE BOARD | 1 |
| 12 | JINPF5550115 | RUBBER PLUG | 1 |
| 13 | JINBZ3315 | MODEL PLATE | 1 |
| 14 | JINPF555013 | BED SCREW STUD | 2 |
| 16 | JINPF99901511 | CORD HOLDER(S) | 2 |
| 17 | JINPF5550161 | SCREW | 3 |
| 18 | JINPF99901160 | CORD HOLDER(L) | 1 |
| 19 | JINPF90000120 | BED SCREW STUD(L) | 1 |
| 20 | JINPF90000121 | BED SCREW STUD(M) | 1 |
| 21 | JINSCJ6071 | POLE | 2 |
| 22 | JINPF90000131 | SCREW | 3 |
| 23 | JINPF90000132 | THREAD CUTTER | 1 |
| 24 | JINPF68425K19 | SCREW | 2 |
| 25 | JINPF5550230 | SCREW | 1 |
| 26 | JINPFQ5126 | THREAD TAKE-UP LEVER COVER | 1 |
| 27 | JINPF5550316 | RIGHT ARM THREAD GUIDE | 1 |
| 28 | JINPF5550317 | SCREW | 3 |
| 29 | JINPF9520MXDK021 | LARGE ARM THREAD GUIDE | 1 |
| 30 | JINPF555063601D | NEEDLE PLATE | 1 |
| | JINPF0302141 | NEEDLE PLATE | 1 |
| 31 | JINPF5550637 | SCREW | 2 |
| 32 | JINPFQ50132 | RULER PLATE | 1 |
| 33 | JINPF5550117 | SCREW | 1 |
| 34 | JINPF5550638 | SLIDE PLATE ASM | 1 |
| 35 | JINPF555063801 | SLIDE PLATE | 1 |
| 36 | JINPF555063802 | SPRING OF SLIDE PLATE | 1 |
| 37 | JINPF555063803 | SCREW | 2 |
| 38 | JINPF5550161 | SCREW | 3 |
| 39 | JINPF8420M-D3010107 | RUBBER PLUG | 2 |
| 40 | JINBZ3299 | PLATE | 1 |
| 40-1 | JINPFS5T014002 | DECORATION BOARD | 1 |
| 41 | JINPFQ514101 | BOBBIN THREAD TENSION ASM | 1 |
| 42 | JINPFS5T0142 | BOBBIN WINDER ASM | 1 |
| 42-1 | JINPF900001511 | OIL SEAL OF COILING WHEE | 1 |
| 43 | JINBZ3141 | SAFETY-INDICATING PLATE | 1 |
| 44 | JINPFS5FDKZJ03 | PILLEY COVER ASM | 1 |
| 44-1 | JINPFS5FDKZJ0301 | PILLEY SIDE COVER ASM | 1 |
| 44-2 | JINPFS5FDKZJ0302 | PILLEY ACCESSORY | 1 |
| 45 | JINPFS5T0149 | SCREW (SHORT) | 2 |
| 46 | JINSCJ3010 | WASHER | 1 |
| 47 | JINPFS5FDKZJSF01 | OPERATION PANEL | 1 |
| 48 | JIN14060018 | SCREW | 4 |
| 49 | JINSCJ2004 | SCREW | 1 |
| 50 | JINPFS5FDKZJSF02 | LEFT COVER PLATE | 1 |
| 51 | JINPFS5FDKZJSF03 | RIGHT COVER | 1 |
| 52 | JINBF310164527 | SCREW | 2 |
| 53 | JINPF98000187 | RUBBER PLUG | 1 |
| 54 | JINPFQ5129 | LEFT ARM THREAD GUIDE | 1 |
| 55 | JINPFS5T0155 | OPERATION PANEL LINE HOLE PLUG | 1 |
| 56 | JINPF9520MXDK02101 | NUT | 1 |
| 57 | JINPFQ571 | SCREW | 1 |
| 58 | JINBF310164527 | SCREW | 2 |
| 59 | JINPF9820A50 | RUBBER PLUG | 1 |

2. MAIN SHAFT & THREAD TAKE-UP COMPONENTS



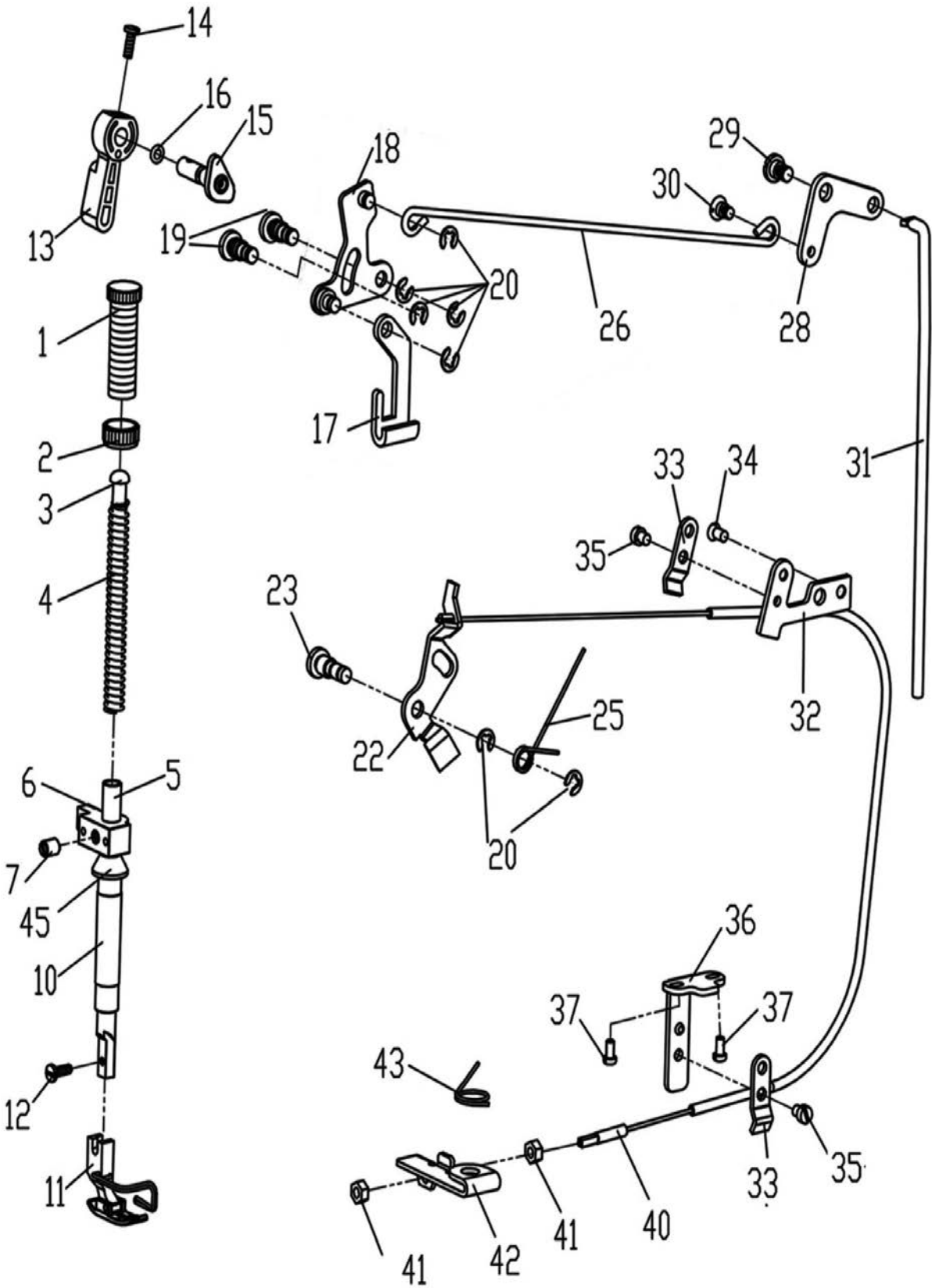
| Ref. No | Part No | Description | QTY |
|---------|-----------------|-------------------------------|-----|
| 1 | JINPFQ5F0201 | MAIN SHAFT | 1 |
| | JINPFQ60202 | NEEDLE BAR CRANK | 1 |
| 2 | JINPFQ520201 | NEEDLE BAR CRANK (H) | 1 |
| 3 | JINPF5550625 | SCREW | 4 |
| 4 | JINPF5550218 | SCREW 9/32-28 L=16 | 1 |
| 5 | JINPF5550216 | SCREW | 1 |
| 6 | JINPF5550217 | RUBBER RING | 1 |
| 7 | JINPFQ50207 | FRONT BUSHING OF MAIN SHAFT | 1 |
| 8 | JINPF555028 | MID BUSHING OF MAIN SHAFT | 1 |
| 9 | JINPF555029 | SCREW | 1 |
| 10 | JINPF90000210 | OIL SEAL | 1 |
| 11 | JINPF9802DP0205 | UPPER SHAFT REAR SLEEVE | 1 |
| 12 | JINPFQ5F0214 | MOTOR | 1 |
| 13 | JINPF90008129 | SCREW 1/4-40 L=6 | 2 |
| 14 | JINPFQ5F021401 | MOTOR STATOR | 1 |
| 16 | JINPFQ5F0216 | SCREW | 2 |
| 17 | JINSCJ3008 | WASHER | 4 |
| 18 | JINSCJ2010 | SCREW | 4 |
| 19 | JINPFQ5F021402 | MOTOR ROTOR | 1 |
| 20 | JINPFS5T0220 | HEAD WHEEL | 1 |
| 21 | JINPFQ5F0221 | SCREW | 2 |
| 22 | JINPF1310B24 | SCREW | 1 |
| 26 | JINPFQ5F021403 | ENCODER COMPONENT | 1 |
| 27 | JINPF1310B24 | SCREW | 1 |
| 29 | JINPF5550225 | THREED TAKE-UP CRANK SHAFT | 1 |
| | JINPF5550K0223A | THREED TAKE-UP ASM. | 1 |
| 30 | JINPF5550H0223A | THREED TAKE-UP ASM. | 1 |
| 31 | JINPF5550228 | SCREW | 1 |
| 32 | JINPF555022404 | BEARING | 2 |
| 33 | JINPF555031 | NEEDLE BAR CONNECTING ROD | 1 |
| 34 | JINPF55502201 | THREED TAKE-UP SHAFT | 1 |
| 35 | JINPF55502212 | THREED TAKE-UP | 1 |
| 36 | JINPF55502211 | THREED TAKE-UP CONNECTING ROD | 1 |
| 37 | JINPF03030223 | WHEEL | 1 |
| 38 | JINPF68425H33 | SCREW | 2 |
| 39 | JINPF555022 | SCREW | 1 |
| 40 | JINPF555026 | RETAINING RING | 2 |
| 41 | JINPFSCJ1036 | RETAINING RING | 1 |
| 42 | JINPFQ5F0242 | RETAINING RING | 1 |
| 43 | JINPF5550213 | OIL AMOUNT ADJUSTING PIN | 1 |
| 44 | JINPF5550212 | OIL ADJUSTING COLLAR | 1 |
| 45 | JINPF5550214 | RUBBER RING | 1 |
| 46 | JINPF5550211 | ROLLER FELT | 1 |

3. NEEDLE BAR & THREAD TENSION COMPONENTS



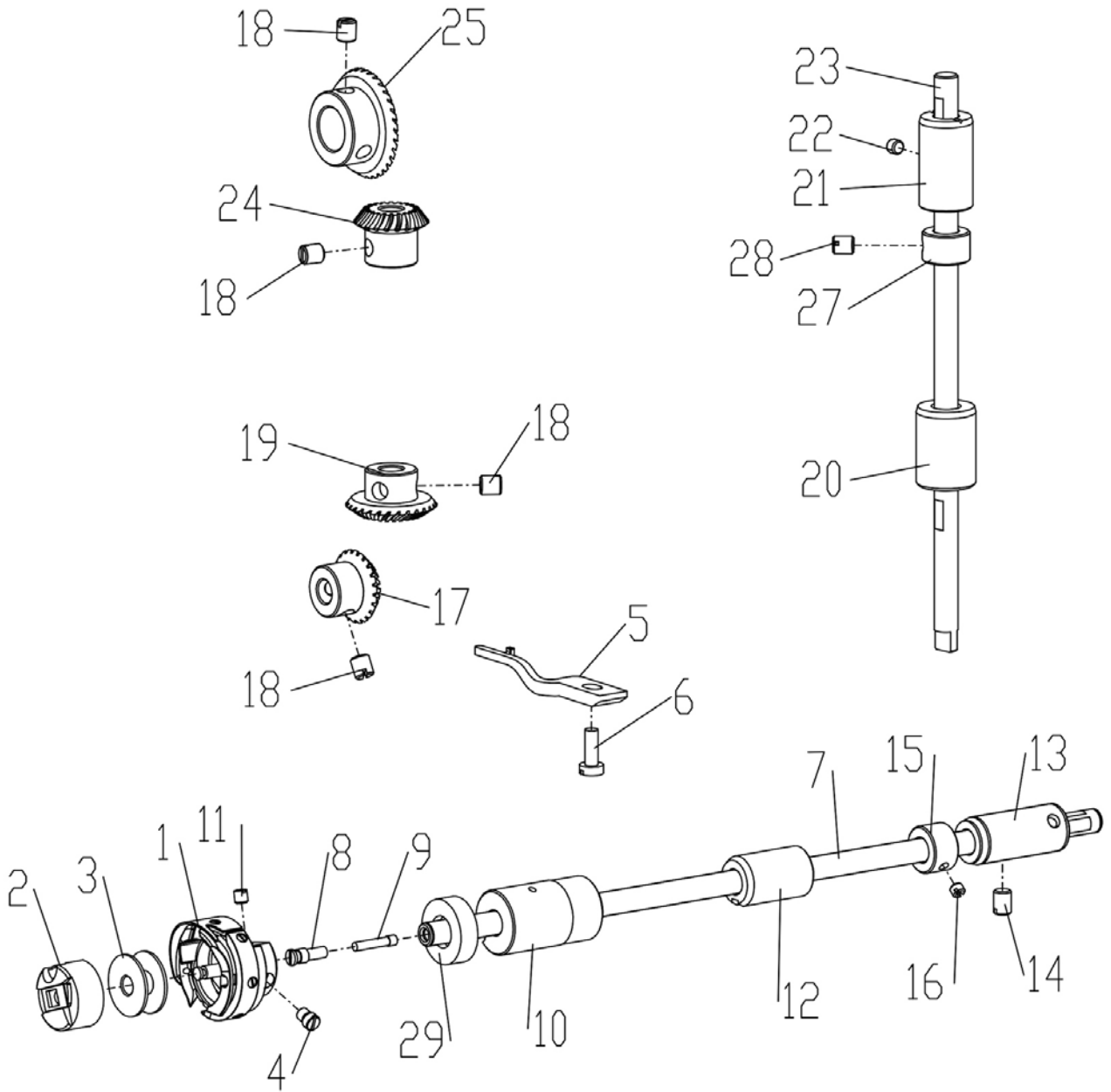
| Ref.No | Part No | Description | QTY |
|--------|-----------------|---------------------------------------|-----|
| 1 | JINPF555037 | RUBBER PLUG | 1 |
| 2 | JINPF555036 | UPPER BUSHING OF NEEDLE BAR | 1 |
| 3 | JINPF9000030301 | NEEDLE BAR | 1 |
| | JINPF90000303H | NEEDLE BAR | 1 |
| 4 | JINPF555033 | NEEDLE BAR HOLDER | 1 |
| 5 | JINPF55503301 | SCREW 9/64-40 L=6 | 1 |
| 6 | JINPF55503802 | LOWER BUSHING OF NEEDLE BAR | 1 |
| | JINPF90000306H | LOWER BUSHING OF NEEDLE BAR | 1 |
| 7 | JINPF5550311 | NEEDLE BAR THREAD GUIDE | 1 |
| 8 | JINPFDTDB114 | NEEDLE(DBx1#14) | 1 |
| | JINPFDTDP521 | NEEDLE(DPx5#21) | 1 |
| 9 | JINPF5550312 | SCREW 1/8-44 L=4.5 | 1 |
| 10 | JINPF888056D309 | NEEDLE BAR THREAD GUIDE | 1 |
| | JINPF5550H39 | NEEDLE BAR THREAD GUIDE | 1 |
| 11 | JINPF90010311 | SLIDE BLOCK | 1 |
| 12 | JINPFQ53121604 | THREAD TENSION SPRING | 1 |
| 13 | JINSCJ1004 | SNAP RING | 1 |
| 14 | JINPFQ53121601 | BOBBIN WINDER TENSION DISC | 2 |
| 15 | JINPFQ53121602 | THREAD TENSION SPRING | 1 |
| 16 | JINPFQ53121603 | SCREW | 1 |
| 17 | JINPFQ53172609 | SET SCREW 9/64-40 L=4 | 1 |
| 18 | JINPFQ53172601 | TENSION POST SOCKET | 1 |
| 19 | JINPF5550330 | SCREW 15/64-28 L=7 | 1 |
| 20 | JINPFQ53172602 | TAKE-UP SPRING | 1 |
| 21 | JINPFQ53172603 | SCREW | 1 |
| 22 | JINPFQ53172604 | TENSION DISC | 2 |
| 23 | JINPFQ53172605 | TENSION DISC HOLDER | 1 |
| 24 | JINPFQ53172606 | TENSION SPRING | 1 |
| 25 | JINPFQ53172607 | TENSION DISC STOPPER | 1 |
| 26 | JINPFQ53172608 | TENSION NUT | 1 |
| 27 | JINPF6150131 | THREAD RELEASE PIN | 1 |
| 28 | JINPF5550334 | TENSION RELEASE PIN SPRING | 1 |
| 29 | JINPF90000329 | TENSION RELEASE SUPPORTING PIN | 1 |
| 30 | JINPF68425H33 | SCREW 11/64-40 L=6 | 1 |
| 31 | JINPF9001033101 | NEEDLE BAR TROUGH | 1 |
| 32 | JINPF6150227 | SLIDE BLOCK 11/64-40 L=8 | 2 |
| 33 | JINPFQ531216 | Upper thread clamp | 1 |
| | JINPFQ531726B | Thread clamp assembly | 1 |
| 34 | JINPFQ5H3172601 | Thread clamp assembly | 1 |
| 35 | JINPF5550132 | TENSION RELEASE SUPPORTING PIN WASHER | 1 |

4. PRESSER BAR & TENSION RELEASE COMPONENTS



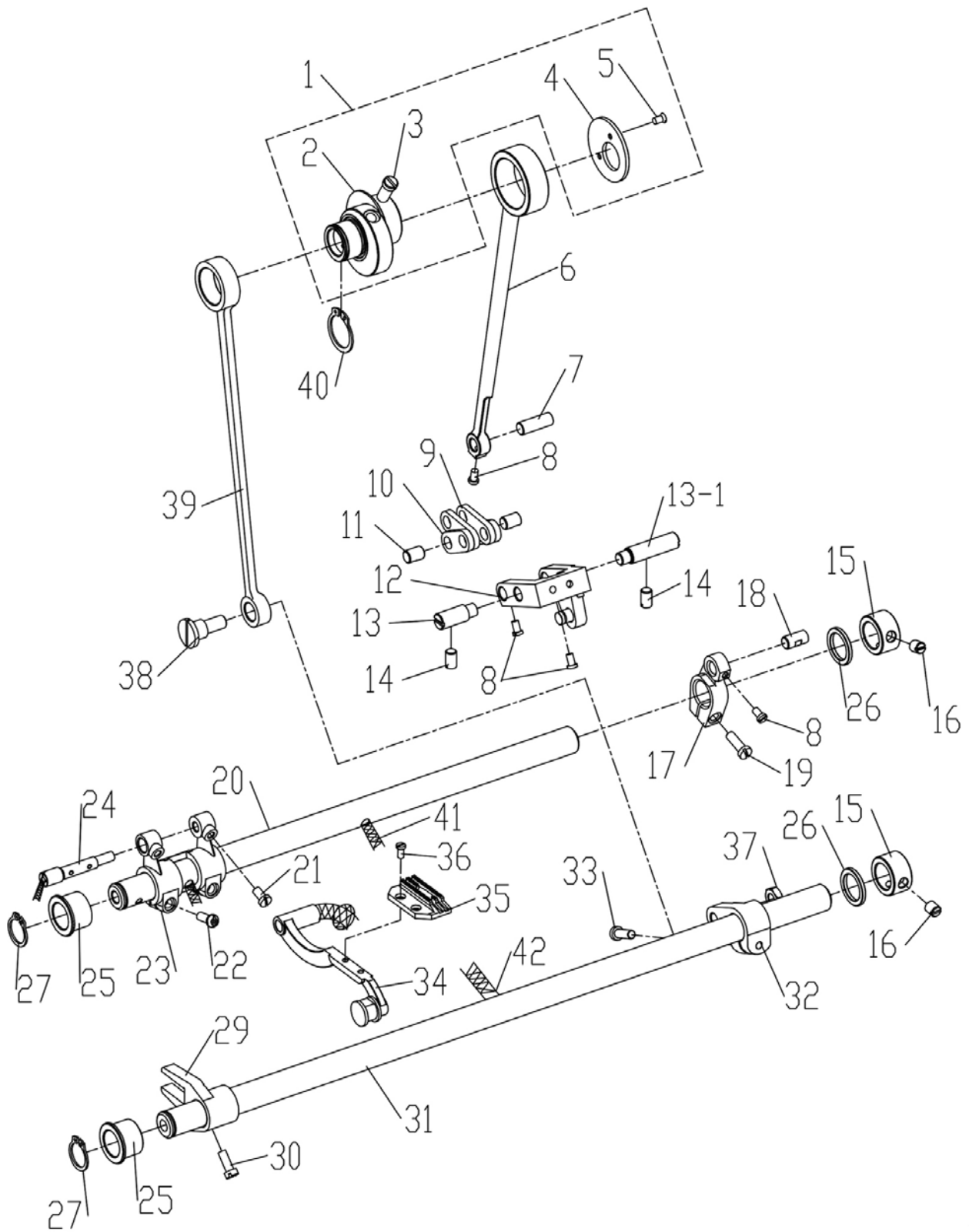
| Ref. No | Part No | Description | QTY |
|---------|-----------------|-----------------------------|-----|
| 1 | JINPFQ541 | PRESSER SPRING REGULATOR | 1 |
| 2 | JINPFQ542 | NUT 1/2-28 | 1 |
| 3 | JINPF555043 | PRESSER GUIDE BAR | 1 |
| 4 | JINPF555044 | PRESSER SPRING | 1 |
| 5 | JINPF555045 | PRESSER GUIDE BAR | 1 |
| 6 | JINPF90000406 | NEDDLE BAR GUIDE BRACKET | 1 |
| 7 | JINPF555047 | SCREW 1/4-40 L=8 | 1 |
| 10 | JINPF5550410 | PRESSER BAR BUSHING LOWER | 1 |
| 11 | JINPF888056D411 | PRESSER FOOT ASM. | 1 |
| 11 | JINPF5550H411 | PRESSER FOOT ASM. | 1 |
| 12 | JINPF5550412 | SCREW 9/64-40 L=10.5 | 1 |
| 13 | JINPFQ541301 | HAND LOFTER | 1 |
| 14 | JINPF5550412 | SCREW 9/64-40 L=10.5 | 1 |
| 15 | JINPF90000415 | HAND LOFTER CAM ASM. | 1 |
| 16 | JINPF5550416 | RUBBER RING | 1 |
| 17 | JINPF90000417 | LIFTING LEVER | 1 |
| 18 | JINPF9000041801 | HAND LIFTER LINK ASM. | 1 |
| 19 | JINPF5550419 | THREAD PIN | 2 |
| 20 | JINSCJ1008 | SNAP RING | 7 |
| 22 | JINPF5550422 | TENSION RELEASE PLATE | 1 |
| 23 | JINPF5550423 | THREAD PIN | 1 |
| 25 | JINPF5550425 | TENSION RELEASE RETURN | 1 |
| 26 | JINPF5550426 | LIFTING LEVER CONNECTING | 1 |
| 28 | JINPF5550428 | LIFTING LEVER LINK | 1 |
| 29 | JINPF5550429 | HINGE SCREW 15/64-28 | 1 |
| 30 | JINPF5550430 | HINGE SCREW 3/16-32 | 1 |
| 31 | JINPF5550431 | CONNECTING ROD VERRICAL | 1 |
| 32 | JINPF90000432 | WIRE HOLDER BRACKET (UPPER) | 1 |
| 33 | JINPF90000438 | WIRE HOLDER | 2 |
| 34 | JINPF5550637 | SCREW 11/64-40 L=8.5 | 1 |
| 35 | JINPF5550725 | SCREW 11/64-40 L=5 | 2 |
| 36 | JINPF90000436 | LOOSING LINE PLATE | 1 |
| 37 | JINPF68425E28 | SCREW 9/64-40 L=7 | 2 |
| 40 | JINPF90000440 | LOOSING LINE ASM. | 1 |
| 41 | JINPF9000044001 | NUT 11/64-40 | 2 |
| 42 | JINPF90000442 | LOOSING LINE ASM. | 1 |
| 43 | JINPF90000443 | SPRING | 1 |
| 45 | JINPF5550432 | PRESSER BAR OIL SEAL | 1 |

5. HOOK OF DRIVING SHAFT COMPONENTS



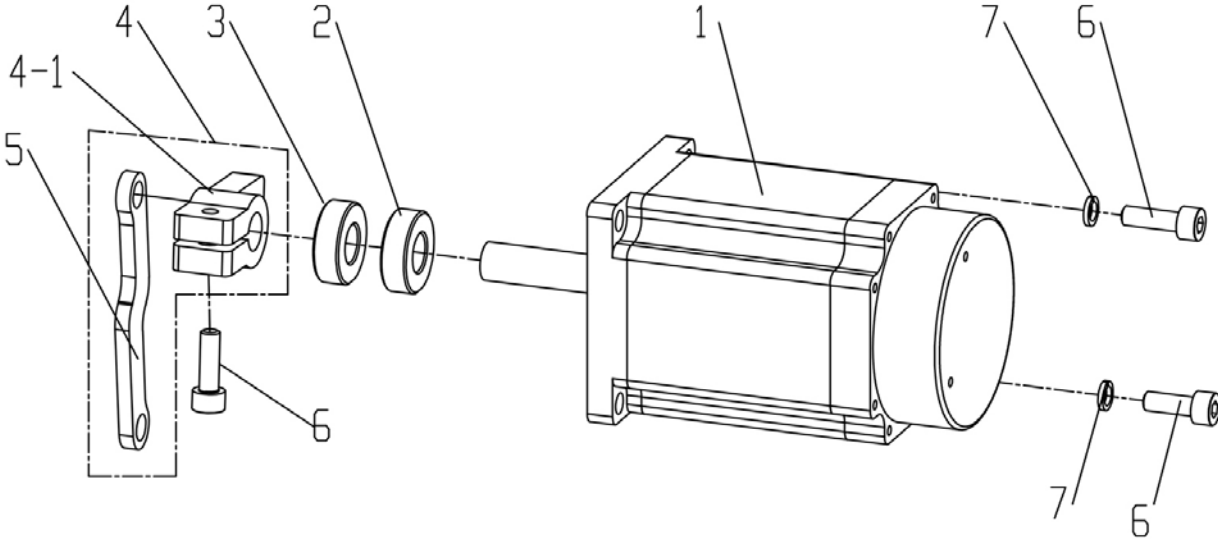
| Ref.No | Part No | Description | QTY |
|--------|---------------------|----------------------|-----|
| 1 | JINPF888056D50108 | HOOK ASM. | 1 |
| 2 | JINPF888056D5202J | BOBBIN CASE ASM. | 1 |
| 3 | JINPF555053 | BOBBIN | 1 |
| 4 | JINPF888056D5010801 | SCREW | 2 |
| 5 | JINPF555055 | POSTIONING FINGER | 1 |
| 6 | JINBF700S039 | SCREW 11/64-40 L=9.5 | 1 |
| 7 | JINPF90000507 | HOOK DRIVING SHAFT | 1 |
| 8 | JINPF555058 | OIL SEAL SCREW ASM. | 1 |
| 9 | JINPF55505901 | OIL WICK | 1 |
| 10 | JINPF90000510 | FRONT BUSHING | 1 |
| 11 | JINPF888056D5010802 | SCREW | 1 |
| 12 | JINPF90000512 | MID BUSHING | 1 |
| 13 | JINPF90000513 | REAR BUSHING | 1 |
| 14 | JINPF555029 | SCREW 3/16-28 L=15 | 2 |
| 15 | JINPF6150404 | SNAP RING | 1 |
| 16 | JINPF55506261 | SCREW 15/64-28 L=4 | 2 |
| 17 | JINPF555051805 | BEVEL GEAR (SMALL) | 1 |
| 18 | JINPF55505180501 | SCREW 1/4-40 L=8 | 8 |
| 19 | JINPF555052005 | BEVEL GEAR (LARGE) | 1 |
| 20 | JINPF90000520 | LOWER BUSHING | 1 |
| 21 | JINPF90000521 | UPPER BUSHING | 1 |
| 22 | JINPF9800TD410 | SCREW 11/64-28 L=9 | 1 |
| 23 | JINPF5550524 | UPRING SHAFT | 1 |
| 24 | JINPF555052505 | BEVEL GEAR (SMALL) | 1 |
| 25 | JINPF555052605 | BEVEL GEAR (LARGE) | 1 |
| 27 | JINPF6150404 | SNAP RING | 1 |
| 28 | JINPF5550330 | SCREW 15/64-28 L=7 | 2 |
| 29 | JINPF9990709 | OIL SEAL RING | 1 |

6. FEED MECHANISM COMPONENTS



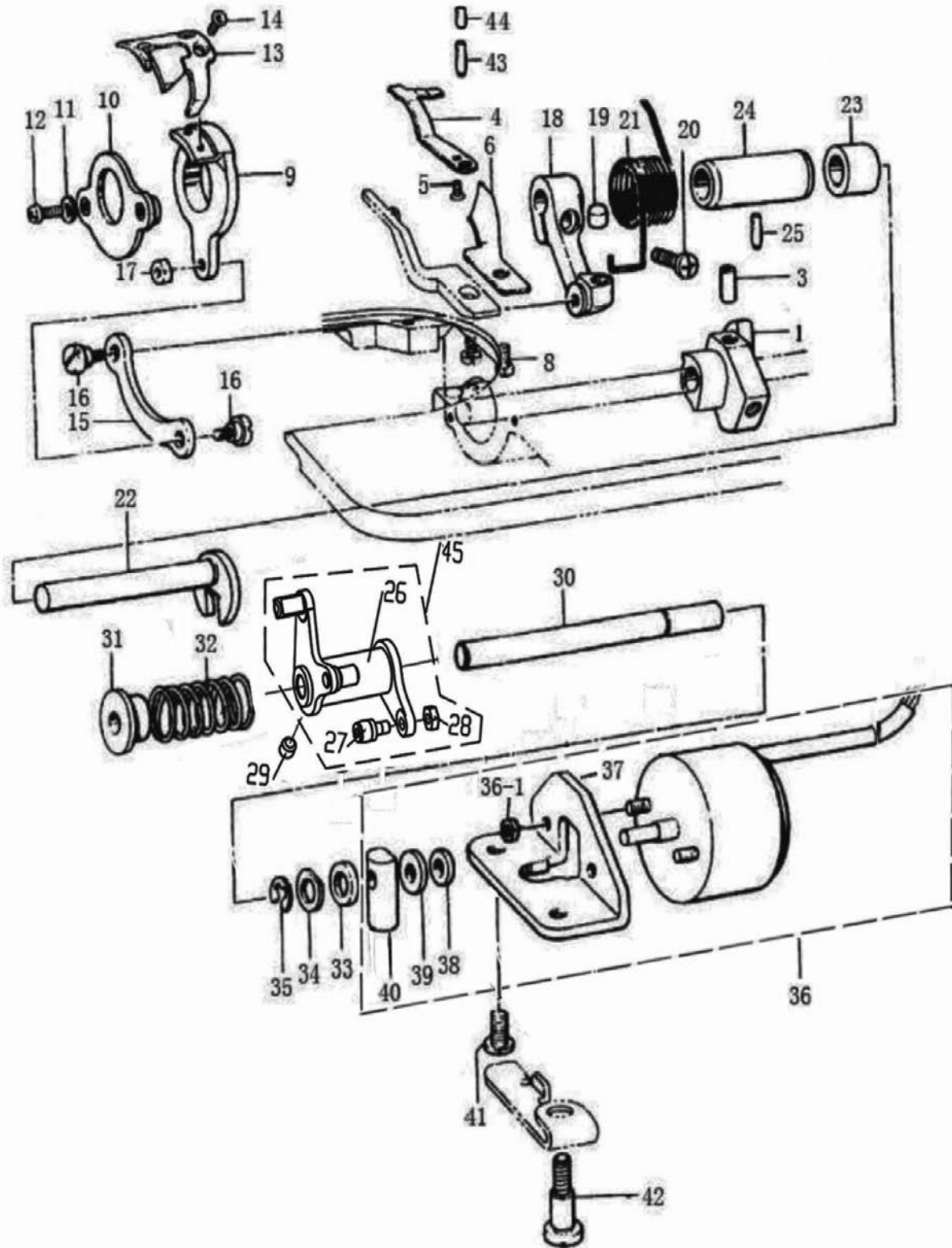
| Ref.No | Part No | Description | QTY |
|--------|-----------------|---------------------------------|-----|
| 1 | JINPFQ5F0601 | FEED DRIVE ECCENTRIC CAM SAM | 1 |
| | JINPF55506202L | FEED DRIVE ECCENTRIC CAM SAM(L) | 1 |
| 2 | JINPF555062 | FEED DRIVE ECCENTRIC CAM | 1 |
| 3 | JINPF555063 | SCREW 1/4-40 L=11 | 2 |
| 4 | JINPF555064 | THRUST COLLAR | 1 |
| 5 | JINPF555065 | SCREW 9/64-40 L=5 | 2 |
| 6 | JINPF555066 | ROCKER SHAFT CONNECTING ROD | 1 |
| 7 | JINPF555067 | WALKING FOOT PIN | 1 |
| 8 | JINPF555068 | SCREW 9/64-40 L=6 | 4 |
| 9 | JINPF555069 | LONG WALKING FOOT LINK | 2 |
| 10 | JINPF5550610 | SHORT WALKING FOOT LINK | 2 |
| 11 | JINPF5550611 | WALKING FOOT PIN | 2 |
| 12 | JINPF888056D613 | WALKING FOOT ADJUST LINK | 1 |
| 13 | JINPF5550614 | ADJUSTING LINK FULCRUM SHAFT | 1 |
| 13-1 | JINPF555061601 | ADJUSTING LINK FULCRUM SHAFT | 1 |
| 14 | JINPF6150326 | SCREW 15/64-28 L=7 | 2 |
| 15 | JINPF5550653 | RETAINING RING | 2 |
| 16 | JINPF6150304 | SCREW | 4 |
| 17 | JINPF5550618 | FEED ROCKER SHAFT CRANK ASM. | 1 |
| 18 | JINPF5550619 | WALKING FOOD PIN | 1 |
| 19 | JINPF5550621 | SCREW 9/64-28 L=14 | 1 |
| 20 | JINPF90000620 | FEED ROCKER SHAFT | 1 |
| 21 | JINPF90000621 | SCREW | 2 |
| 22 | JINPF5550633 | SCREW | 2 |
| 23 | JINPF90000623 | FEED CRACKET | 1 |
| 24 | JINPF90000624 | FEED BAR SHAFT | 1 |
| 25 | JINPF90000625 | FEED ROCKER SHAFT BUSHING | 2 |
| 26 | JINPF6150529 | WASHER | 2 |
| 27 | JINSCJ1036 | RETAINING RING | 2 |
| 29 | JINPF90000629 | DRIVING SHAFT CRANK ASM. | 1 |
| 30 | JINPF6150607 | SCREW 11/64-40 L=10.5 | 1 |
| 31 | JINPF90000631 | FEED DRIVING SHAFT | 1 |
| 32 | JINPF90000632 | REAR CRACK ASM. | 1 |
| 33 | JINPF5550648 | SCREW 3/16-28 L=12 | 1 |
| 34 | JINPF90000634 | FEED ROCKER BASE ASM. | 1 |
| 35 | JINPF55500634B | FEED DOG | 1 |
| | JINPF030341 | FEED DOG | 1 |
| 36 | JINPF5550635 | SCREW 1/8-44 L=6 | 2 |
| 37 | JINPF5550651 | NUT | 1 |
| 38 | JINPF5550650 | SCREW | 1 |
| 39 | JINPF5550649 | CONNECTING ROD | 1 |
| 40 | JINPF5550652 | SNAP RING | 1 |
| 41 | JINPF5550627 | OIL WICK | 1 |
| 42 | JINPF5550627 | OIL WICK | 1 |

7. STEPPER FEED REGULATING COMPONENTS



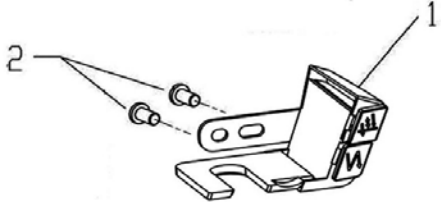
| Ref. No | Part No | Description | QTY |
|---------|----------------|---------------------------|-----|
| 1 | JINPFQ5F07101 | MOTOR | 1 |
| 2 | JINPFQ5F07102 | OIL SEAL | 1 |
| 3 | JINPFQ5F07102 | OIL SEAL | 1 |
| 4 | JINPFQ5F07104A | CRANK CONNECTING ROD ASM. | 1 |
| 4-1 | JINPFQ5F07104 | CRANK | 1 |
| 5 | JINPFQ5F07105 | CONNECTING ROD | 1 |
| 6 | JINBF310164501 | SCREW | 5 |
| 7 | JINSCJ3008 | SPRING WASHERS | 4 |

8. THREAD TRIMMER COMPONENTS



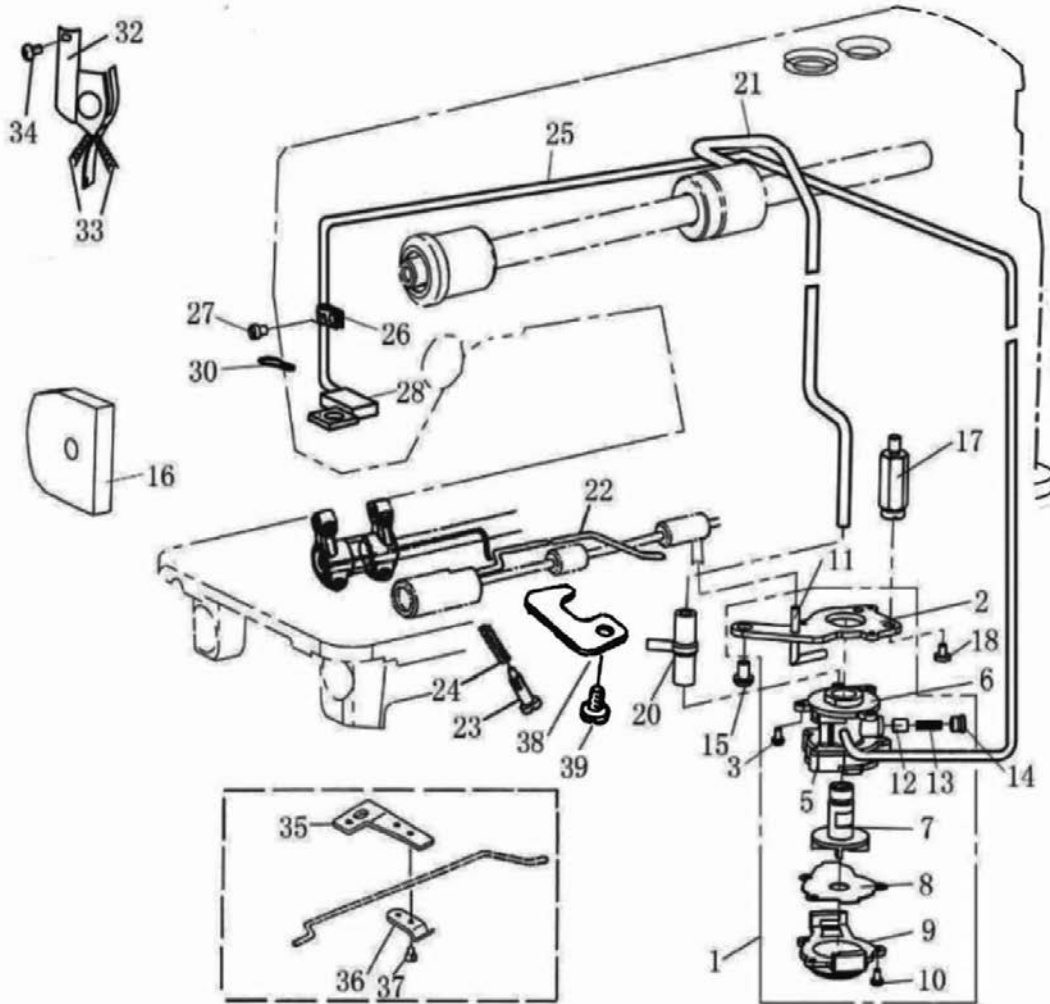
| Ref.No | Part No | Description | QTY |
|--------|-----------------|------------------------------|-----|
| 1 | JINPF90008101 | THREAD TRIMMER CAM | 1 |
| 3 | JINPF90008103 | SCREW 1/4-40 L=10 | 2 |
| 4 | JINPF90008104 | CONNTER KNIFE | 1 |
| 5 | JINPF68425H26 | SCREW | 1 |
| 6 | JINPF90008106 | DISPART THREAD SHUTTLE | 1 |
| 8 | JINPF6150211 | SCREW | 1 |
| 9 | JINPF90008109 | ROUND KNIFE BRACKET | 1 |
| 10 | JINPF90008110 | KNIFE HOLDER ASM | 1 |
| 11 | JINPF5550630 | WASHER | 2 |
| 12 | JINPF90008112 | SCREW | 2 |
| 13 | JINPF9000811301 | ROUND KNIFE | 1 |
| | JINPF90008113 | ROUND KNIFE | 1 |
| 14 | JINPF90008114 | SCREW | 2 |
| 15 | JINPF90008115 | KNIFE SHAFT CRANK ROD | 1 |
| 16 | JINPF90008116 | SCREW | 2 |
| 17 | JINPF90008117 | NUT | 1 |
| 18 | JINPF90008118 | TRIMMING CRANK | 1 |
| 19 | JINPF9000811801 | BLOCK | 1 |
| 20 | JINPF9000812001 | SCREW | 1 |
| 21 | JINPF90008121 | REPLACE SPRING | 1 |
| 22 | JINPF90008122 | TRIMMING CRANK SHAFT | 1 |
| 23 | JINPF90008123 | SHORT BUSHING | 1 |
| 24 | JINPF90008124 | BUSHING | 1 |
| 25 | JINPF55506461 | SCREW | 1 |
| 26 | JINPF9000812603 | TRIMMING CAM CRANK | 1 |
| 27 | JINPF9000812601 | ROLLER BEARING SHAFT ASM. | 1 |
| 28 | JINPF9000812602 | NUT 11/64-40 | 1 |
| 29 | JINPF90008129 | SCREW 1/4-40 L=6 | 1 |
| 30 | JINPF90008130B | TRIMMING SHAFT | 1 |
| 31 | JINPF90008131 | SPRING COVER | 1 |
| 32 | JINPF90008132 | SPRING | 1 |
| 33 | JINPF90008133 | WASHER | 1 |
| 34 | JINPF90008134 | CLIP | 1 |
| 35 | JINSCJ1009 | WASHER | 1 |
| 36 | JINPFS5T0836 | THREAD TRIMMER SOLENOID ASM. | 1 |
| 36-1 | JINPF980280401 | NUT (M4) | 2 |
| 37 | JINPF980280402 | SOLENOID BASE | 1 |
| 38 | JINPF980280403 | WASHER | 1 |
| 39 | JINPF980280404 | WASHER | 1 |
| 40 | JINPF980280405 | SOLENOID CONNECTING SHAFT | 1 |
| 41 | JINPF90008141 | SCREW 1/4-28 | 1 |
| 42 | JINPF90008142 | SCREW 1/4-28 | 1 |
| 43 | JINPF900081412 | SCREW 1/8-44X6 | 1 |
| 44 | JINBF7005292 | SCREW 1/8-44X3 | 1 |
| 45 | JINPF90008126 | TRIMMING CAM CRANK ASM. | 1 |

9. ELECTRIC CLAMP COMPONENTS



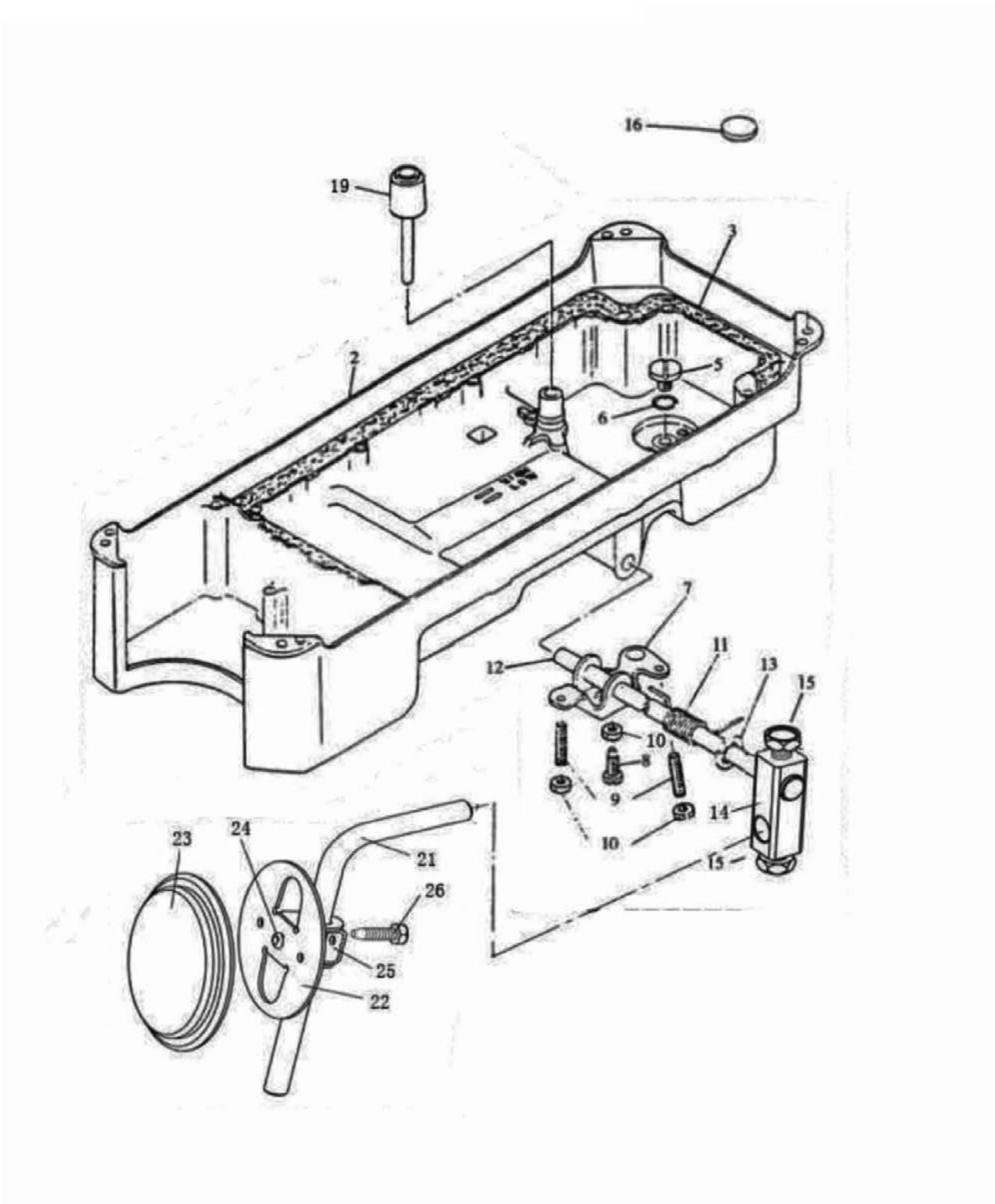
| Ref.No | Part No | Description | QTY |
|--------|----------------|-----------------------|-----|
| 1 | JINPFS5T090202 | REVEVSE SEWING SWITCH | 1 |
| 2 | JINPF555016 | SCREW | 2 |
| 3 | JINPFS5T0905 | ELECTRIC CLAMP | 1 |
| 4 | JINPF9800TD409 | SCREW | 1 |

10. LUBRICATION COMPONENTS



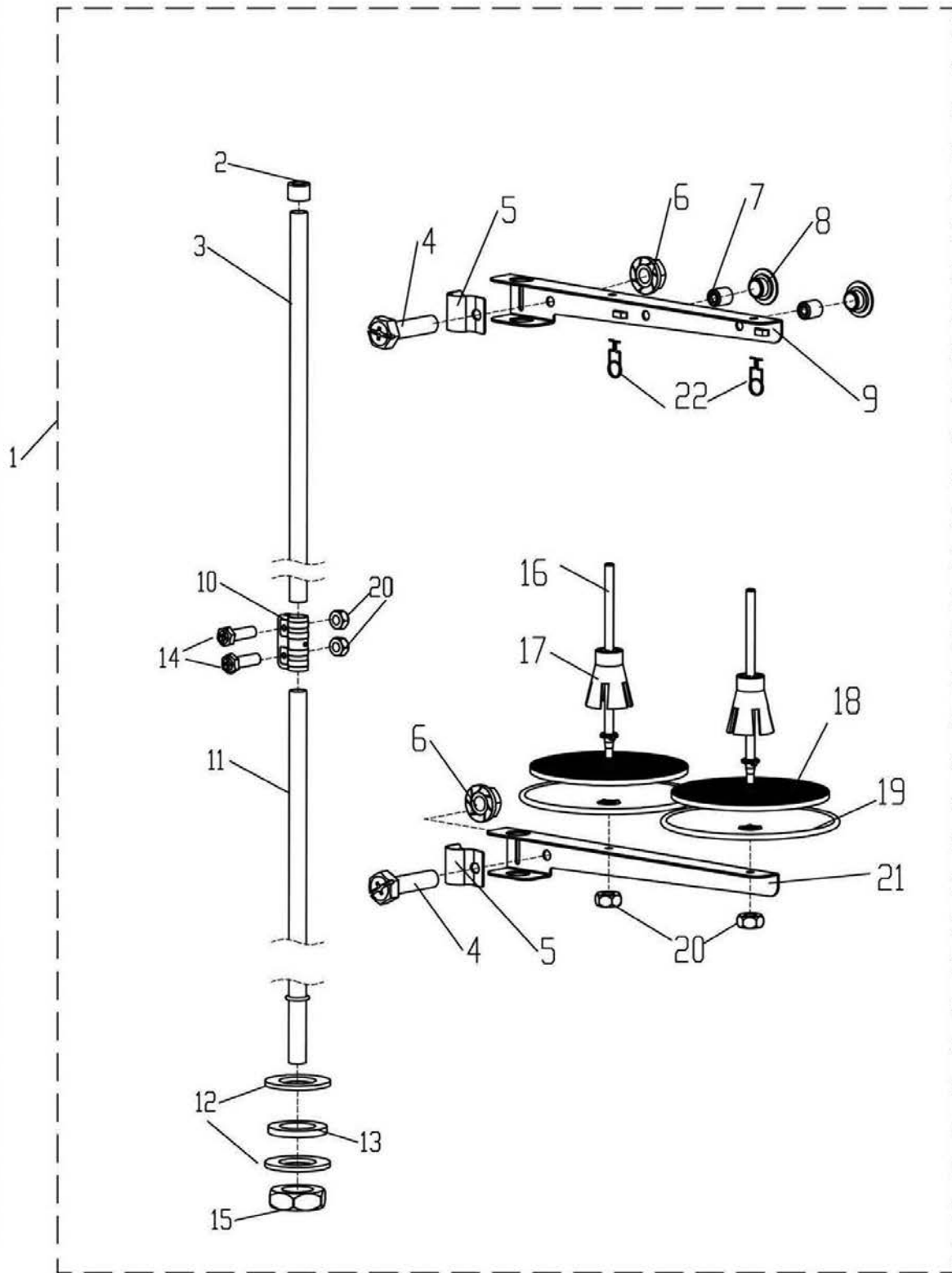
| Ref.No | Part No | Description | QTY |
|--------|-----------------|-----------------------------|-----|
| 1 | JINPF555081 | LUBRICATING OIL PUMP ASM. | 1 |
| 2 | JINPF55508101 | OIL PUMP INSTALLING BASE | 1 |
| 3 | JINPF55508102 | SCREW 15/64-28 L=9 | 3 |
| 5 | JINPF55508103 | OIL PUMP | 1 |
| 6 | JINPF55508104 | OIL PUMP BUSHING | 1 |
| 7 | JINPF55508105 | OIL PUMP IMPELLER | 1 |
| 8 | JINPF55508106 | OIL PUMP IMPELLER COVER | 1 |
| 9 | JINPF55508107 | LUBRICAING OIL PUMP COVER | 1 |
| 10 | JINPF55508108 | SCREW | 3 |
| 11 | JINPF55508109 | HOOK DRIVING SHAFT OIL TUBE | 1 |
| 12 | JINPF55508110 | PLUNGER | 1 |
| 13 | JINPF55508111 | PLUNGER SPRING | 1 |
| 14 | JINPF55508112 | SCREW | 1 |
| 15 | JINPF2284014802 | SCREW | 1 |
| 16 | JINPF90011038 | SPONGE | 1 |
| 17 | JINPF5550815 | OIL PUMP SUPPORT | 1 |
| 18 | JINPF555056 | SCREW 11/64-40 L=9.5 | 1 |
| 20 | JINPF5550817 | RUBBER JOINT | 1 |
| 21 | JINPF9800TD408 | MAIN SHAFT OIL TUBE | 1 |
| 22 | JINPF90001022 | OIL TUBE | 1 |
| 23 | JINPF90001023 | OIL ADJUSTING SCREW | 1 |
| 24 | JINPF90001024 | SPRING | 1 |
| 25 | JINSCJ5030 | OIL RETURN GUARD | 1 |
| 26 | JINPF5550827 | OIL RETURN TUBE HOLDER | 1 |
| 27 | JINPF5550230 | SCREW 1/8-28 L=6 | 1 |
| 28 | JINPF5550830 | OIL FELT | 1 |
| 30 | JINPF5550831 | OIL FELT PRESSER | 1 |
| 32 | JINPF5550832 | OIL WICK SUPPORT | 1 |
| 33 | JINPF5550833 | OIL WICK | 1 |
| 34 | JINPF5550834 | SCREW | 1 |
| 35 | JINPF888056D442 | WIRE HOLDER BARCKET (LOWER) | 1 |
| 36 | JINPF888056D437 | WIRE HOLDER | 1 |
| 37 | JINPF5550725 | SCREW 11/64-40 L=5 | 1 |
| 38 | JINPF5550822 | WIRE HOLDER | 1 |
| 39 | JINPF888056D730 | SCREW | 1 |

11. PRESSER FOOT COMPONENTS OF OIL PLATE KNEE LIFT



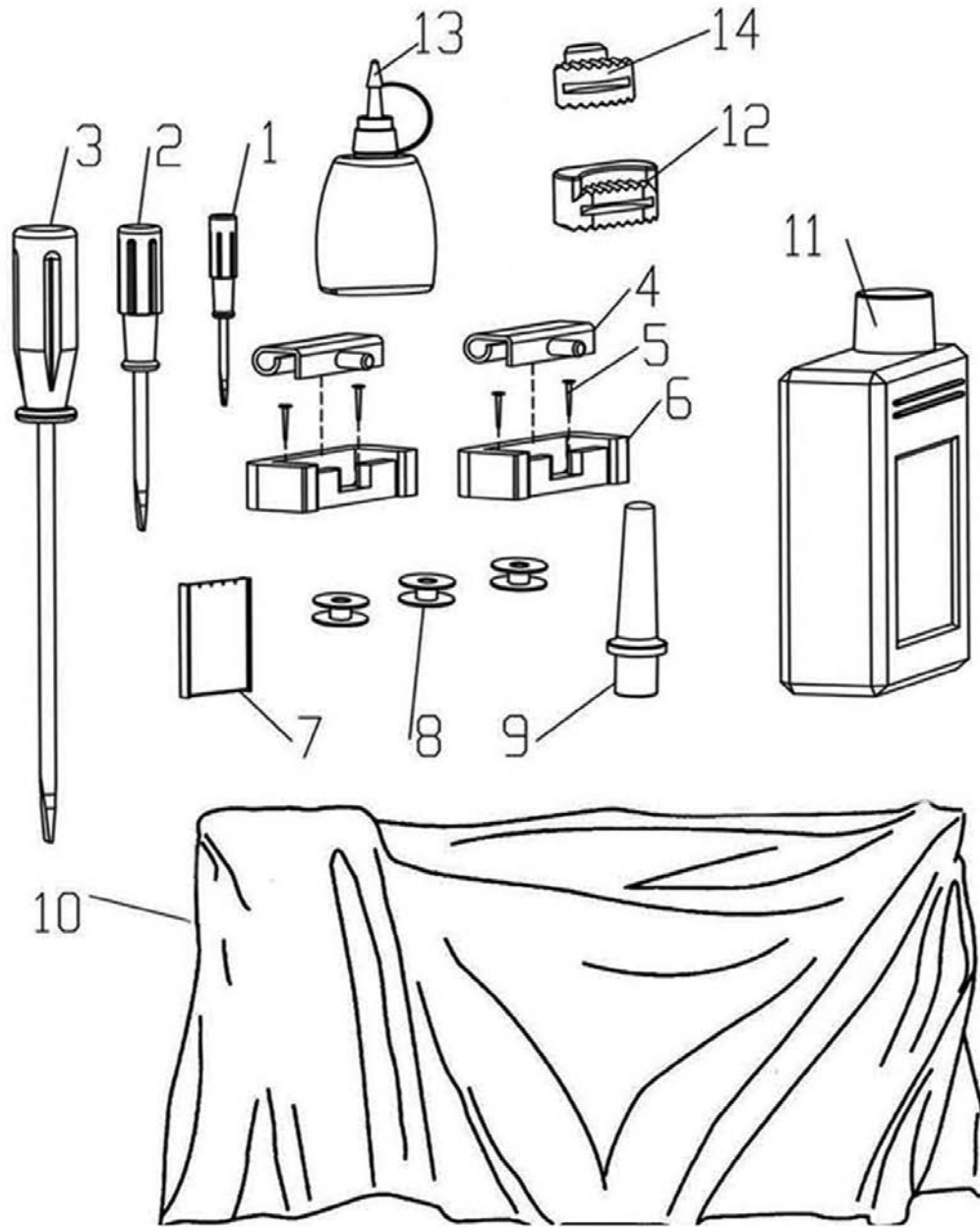
| Ref. No | Part No | Description | QTY |
|---------|--------------|--------------------------------|-----|
| 2 | JINPF555092 | OIL PLATE | 1 |
| 3 | JINPF555093 | OIL PLATE BED | 1 |
| 5 | JINPF555095 | OIL EXPRACTION HOLE SCREW | 1 |
| 6 | JINPF555096 | RUBBER RING | 1 |
| 7 | JINPF5550912 | TWO-WAY CRANK | 1 |
| 8 | JINPF5550913 | SCREW | 1 |
| 9 | JINPF5550914 | BANKING SCREW OF TWO-WAY CRANK | 2 |
| 10 | JINPF5550915 | BANKING NUT OF TWO-WAY CRANK | 3 |
| 11 | JINPF5550916 | TWISTING SPRING | 1 |
| 12 | JINPF5550917 | LIFTING PRESSOR FOOT SHAFT | 1 |
| 13 | JINSCJ1014 | OPEN SHIELD RING | 1 |
| 14 | JINPF5550919 | OPERATING BAR HEAD | 1 |
| 15 | JINPF5550930 | OPERATING BAR HEAD SCREW | 2 |
| 16 | JINSCJ6012 | OIL PLATE MAGNET | 1 |
| 19 | JINPF5550911 | TOP PIN | 1 |
| 21 | JINPF5550922 | OPERATING BAR | 1 |
| 22 | JINPF5550923 | OPERATING PLATE | 2 |
| 23 | JINPF5550924 | SOFT CUSHION OF OPERATING BAR | 1 |
| 24 | JINPF5550925 | OPERATING BAR BED | 1 |
| 25 | JINPF5550926 | OPERATING BAR TIP | 1 |
| 26 | JINPF5550927 | TIP SCREW | 1 |

12. COMPONENTS OF THREAD-RUNNING STAND



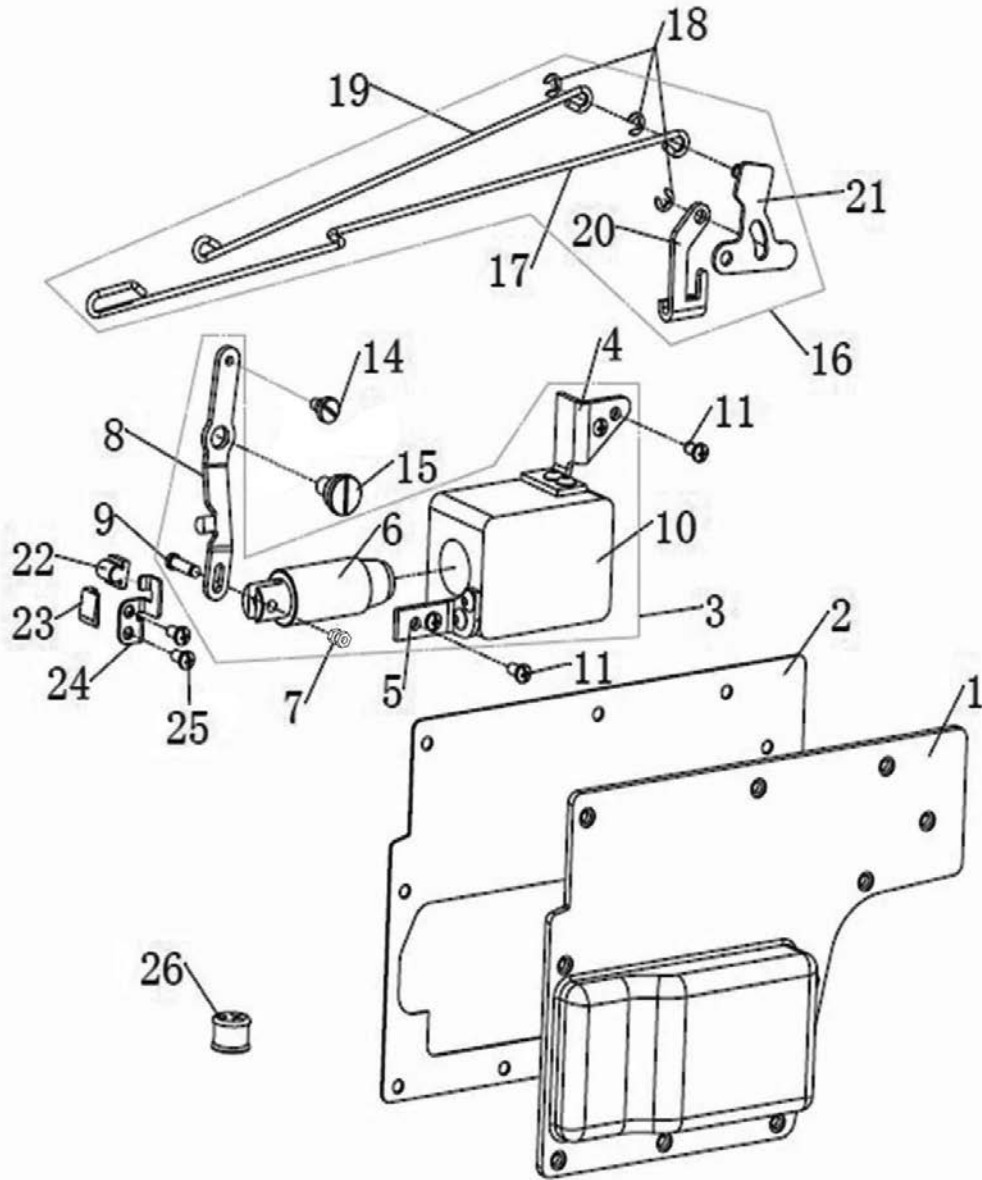
| Ref. No | Part No | Description | QTY |
|---------|-------------------|-------------------------------|-----|
| 1 | JINPF5550112701 | THREAD STAND AMS. | 1 |
| 2 | JINPF555011270101 | COLUMN CAP | 1 |
| 3 | JINPF5550112702 | COLUMN PIPE (UPPER) | 1 |
| 4 | JINPF5550112703 | SCREW | 2 |
| 5 | JINPF5550112704 | THREAD GUIDE ARM JOINT | 2 |
| 6 | JINPF5550112705 | NUT | 2 |
| 7 | JINPF5550112706 | THREAD GUIDE PIPE | 2 |
| 8 | JINPF5550112707 | THREAD GUIDE BUSHING | 2 |
| 9 | JINPF5550112708 | THREAD HANGER (2 SPOOLS TUPE) | 1 |
| 10 | JINPF5550112709 | COLUMN PIPE CONNECTOR | 1 |
| 11 | JINPF5550112710 | COLUMN PIPE (LOWER) | 1 |
| 12 | JINPF5550112711 | WASHER | 2 |
| 13 | JINPF5550112712 | WASHER | 1 |
| 14 | JINPF5550112713 | SCREW | 2 |
| 15 | JINPF5550112714 | NUT | 1 |
| 16 | JINPF5550112715 | SPOOL PIN | 2 |
| 17 | JINPF5550112716 | SPOOL CUSHION | 2 |
| 18 | JINPF5550112717 | SOFT CUSHION OF THREAD PLARE | 2 |
| 19 | JINPF5550112718 | THREAD PLATE | 2 |
| 20 | JINPF5550112719 | NUT | 4 |
| 21 | JINPF5550112720 | THREAD HANGE (LOWER) | 1 |
| 22 | JINPF5550112721 | THREAD GUIDE RING | 2 |

13. AUXILIARIES



| Ref. No | Part No | Description | QTY |
|---------|-----------------|-----------------------|-----|
| 1 | JINPF55501018 | SCREW DRIVER (SMALL) | 1 |
| 2 | JINPF55501017 | SCREW DRIVER (MIDDLE) | 1 |
| 3 | JINPF55501016 | SCREW DRIVER (LARGE) | 1 |
| 4 | JINPF5550101 | HINGE COMPL | 2 |
| 5 | JINSCJ6018 | RUBBER CUSHION NAIL | 6 |
| 6 | JINPF5550102 | RUBBER CUSHION | 2 |
| 7 | JINPFDTDB114 | NEEDLE | 1 |
| 8 | JINPF555053 | BOBBIN | 3 |
| 9 | JINPFQ51425 | FRAME SUPPORT BAR | 1 |
| 10 | JINPF0303104004 | FRAMEVINYL COVER | 1 |
| 11 | JINPF55501022 | OIL BOTTLE WITH OIL | 1 |
| 12 | JINPF555099 | NOSE SUPPORT | 2 |
| 13 | JINPF61501105 | OILER ASM. | 1 |
| 14 | JINPF555098 | DIE CUSHION | 2 |

14. AUTOMATIC PRESSER FOOT LIFTER COMPONENTS



| Ref.No | Part No | Description | QTY |
|--------|-----------------|----------------------------------|-----|
| 1 | JINPFS5T1401 | FACE PLATE | 1 |
| 2 | JINPFS5T1402 | FACE PLATE GASKET | 1 |
| 3 | JINPFS5T1403 | PRESSER FOOT SOLENOID ASM. | 1 |
| 4 | JINPFQ514301 | RIGHT STAND | 1 |
| 5 | JINPFQ514302 | LEFT STAND | 1 |
| 6 | JINPFQ514303 | SOLENOID CORE | 1 |
| 7 | JINPFQ514304 | NUT | 2 |
| 8 | JINPFQ514305 | CRANK ROD | 1 |
| 9 | JINPFQ514306 | IRON-CORE CONNECTING PIN | 1 |
| 10 | JINPFQ514307 | PRESSER FOOT SOLENOID | 1 |
| 11 | JINPF5550161 | SCREW 3/16-28 L=12 | 4 |
| 14 | JINPF7810616 | SCREW | 1 |
| 15 | JINPFQ51415 | SCREW | 1 |
| 16 | JINPFQ51416 | HAND LIFTER LINK ASM. | 1 |
| 17 | JINPFQ5141601 | CONNECTING ROD(LONG) | 1 |
| 18 | JINSCJ1008 | SNAP RING | 3 |
| 19 | JINPF5550426 | LIFTING LEVER CONNECTING ROD | 1 |
| 20 | JINPF9000041801 | LIFTING LEVER | 1 |
| 21 | JINPF90000417 | HAND LIFTER LINK | 1 |
| 22 | JINPFQ51422 | RUBBER PLUG | 1 |
| 23 | JINPFS5T1423 | PROTECTIVE PAD | 1 |
| 24 | JINPFS5T1424 | BUMPER PLATE | 1 |
| 25 | JINPF5550230 | SCREW | 2 |
| 26 | JINPF888056D131 | WIRE CROSSING SLEEVE (TWO HOLES) | 1 |

Company Name: JUKI SINGAPORE PTE LTD.

ADD: 20 BENDEMEER ROAD, #04-12 BS BENDEMEER CENTRE SINGAPORE 339914

Tel: (65)6553-4388

HP: <http://www.juki.com.sg/>

E-mail: we.sgp-sales@ml.juki.com

Company Name: Juki Machinery Vietnam Company Ltd.

ADD: 153 HOA LAN STR., WARD 2, PHU NHUAN DIST., HO CHI MINH CITY, VIETNAM

Tel: (84)28-35178833

FAX: (84)28-35178318

E-mail: sales@jukinv.com

Company Name: Juki Machinery Bangladesh Ltd

ADD: NATORE TOWER (5TH FLOOR) PLOT#32-D & 32-E, ROAD#02, SECTOR#03,

UTTARA MODEL TOWN, DHAKA, BANGLADESH

Tel: (880)2-48954731

FAX: (880)2-48954733

E-mail: vl.jmbl-info@ml.juki.com

Company Name: Juki India Private Limited

ADD: GROUND AND 1ST FLOOR, NO.1090/I, 18TH CROSS ROAD, 3RD SECTOR,

HSR LAYOUT BANGALORE-560 102, KARNATAKA STATE, INDIA

Tel: (91)80-4251-1900

FAX: (91)80-4251-1999

HP: <http://jukiindia.com/>

E-mail: jukiblr@jukiindia.com

Company Name: JUKI CENTRAL EUROPE

ADD: UL. POLECZKI 21 (PLATAN PARK C) 02-822 WARSAW, POLAND

Tel: (48)22-545-0400

FAX: (48) 22-5450411

HP: <http://jukieurope.com/>

Company Name: JUKI America INC

ADD: 8500 NW 17TH STREET, SUITE 100, DORAL, FL 33126-1035, U.S.A.

Tel: (1)305-594-0059

HP: <https://juki.com/>