

ENGLISH

**M-1 Series
INSTRUCTION MANUAL
(Mechanical)**

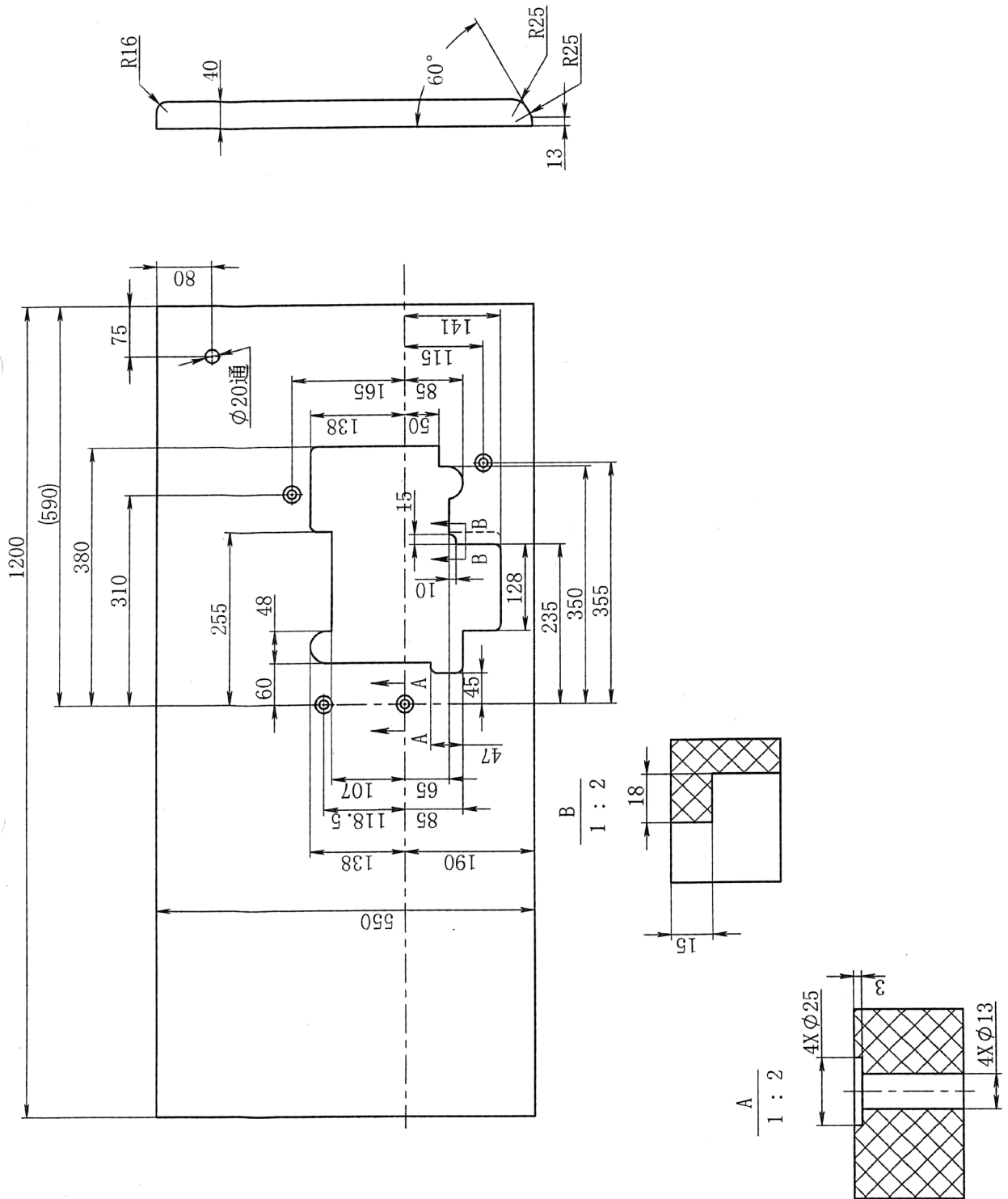
CONTENTS

SAFETY ENSURE	i
1. Schematic diagram of the machine table.....	1
2. Lubrication	2
3. Manual Lubrication.....	2
4. Filling the HR device with silicon oil	2
5. Threading	3
6. Adjusting the presser foot pressure.....	4
7. Adjusting the diff. feed ratio	4
8. Adjusting the stitch length	5
9. Adjusting the thread tension	6
10. Cleaning the machine	6
11. Replacing the needle.....	7
12. Checking the oil circulation.....	8
13. Checking and replacing oil filter	8
14. Replacing the oil.....	8
15. Replacing the lower knife	9

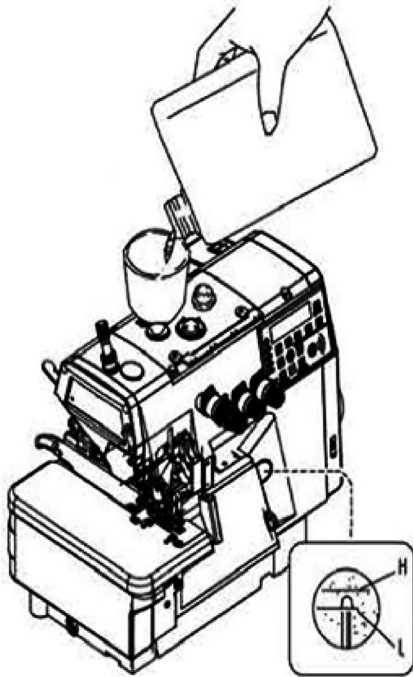
SAFETY ENSURE

- 1 When using the machine, please strictly observe the safety measures as the following items.
- 2 Before using the machine, please read all instructions contained in the instruction manual. Please take care of the manual for handle consult.
- 3 When using the machine, make sure that all the safety devices are installed to the required location. Forbid to use the machine if the safety devices are not in the right position.
- 4 The machine shall be operated by the trained operator.
- 5 When using the machine, safety glasses are recommended.
- 6 Please turn off the power or unplug the power plug when the following cases happen.
 - 6-1 When threading the stitch, double stitch, segregator and replacing bobbin.
 - 6-2 When changing replacing the stitch, the presser foot, the throat plate, bend stitch, the feed dog, the stitch guard, the folder and the cloth guider.
 - 6-3 Repairing work.
 - 6-4 Nobody in the working place or leaving the working place.
- 7 The oil, lubrication used in the machine and the peripheral device flow in eyes or skin, or drinking mistakenly, please wash the correlation parts and go to hospital.
- 8 Prohibit to touch the power on/off accessory and devices of the machine with oil hand.
- 9 The repair, alteration, adjustment about the machine should be carried out by professional staff.
- 10 General repair and maintenance of the machine should be carried out by trained staff.
- 11 Repair and maintenance about electrical aspects of the machine should be done by professional staff or experts.
- 12 When repairing, preserving the accessory about the air, compressed air cylinder, the air compressor to supply source should be cut off.
- 13 The sewing machines should be regular cleaned while using.
- 14 The machine should be connected to ground wire for safe operation. It should be used against strong noise such an high-frequency welding machine.
- 15 Electrical power plug should be installed by trained staff. Power plug must be connected to the ground.
- 16 Sewing machine can not be used other than the designated purpose.
- 17 Alteration and modification of the machine should be accorded to safety requirements and effective safety measures should be taken. In addition, we assume no responsibility for alteration and modification.

1. Schematic diagram of the machine table



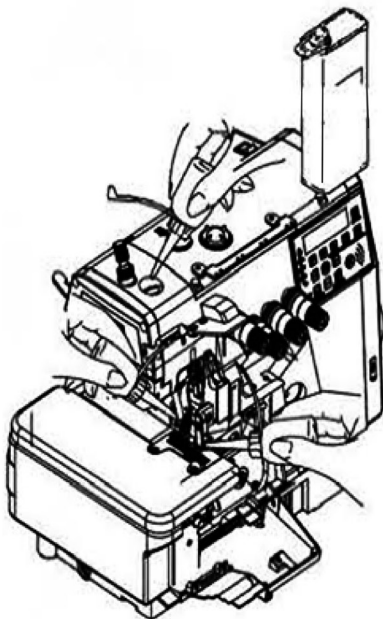
2. Lubrication



After filling the oil pan, the top of the indicator should lie between (H) and (L) lines.
Add oil, when the oil level indicator reaches or goes below (L).

3. Manual Lubrication

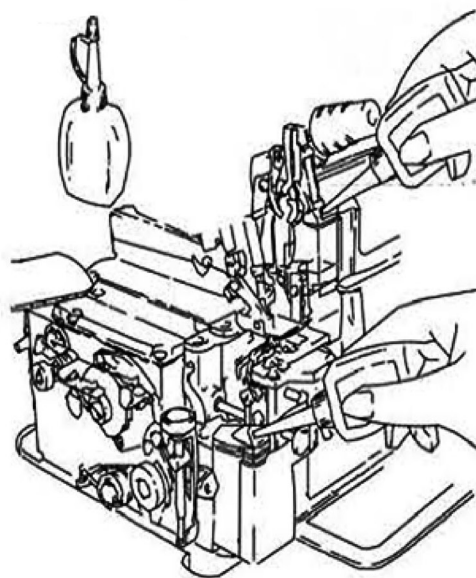
Apply 2 or 3 drops of oil by hand when the machine is used for the first time or has been left unused for some time.



4. Filling the HR device with silicon oil

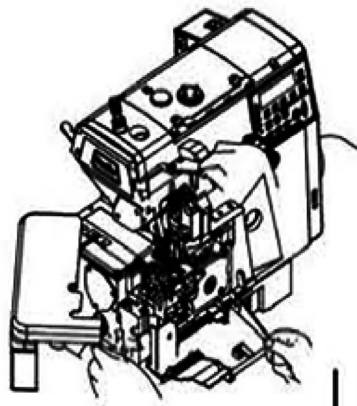
Fill the HR device with oil before it is too low in order to prevent needle thread breakage and fabric damage.

Note: Use Pegasus recommended silicon oil.
[UNION CARBIDE CORPORATION]
UCC L-45(10)



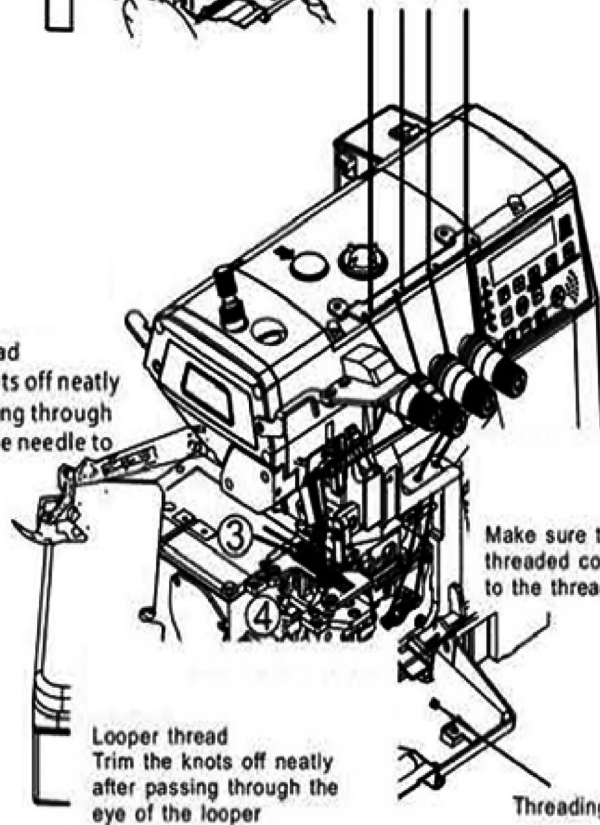
5. Threading

① Knot the preset thread and the thread being used together to thread the machine.



② Open three covers. Sewing the presser foot aside.

Needle thread
Trim the knots off neatly before passing through the eye of the needle to rethread.



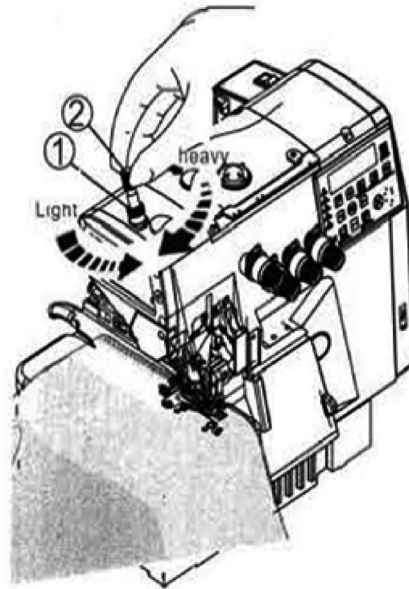
Make sure the machine is threaded correctly by referring to the threading diagram

Looper thread
Trim the knots off neatly after passing through the eye of the looper

Threading diagram

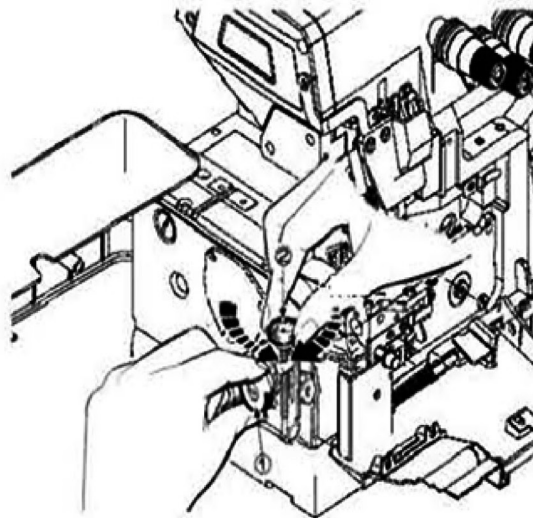
6. Adjusting the presser foot pressure

Loosen adjusting nut 1 and turn adjusting nut 2 to adjust the presser foot pressure. It should be as light as possible, yet be sufficient to obtain the proper stitch formation.



7. Adjusting the diff. feed ratio

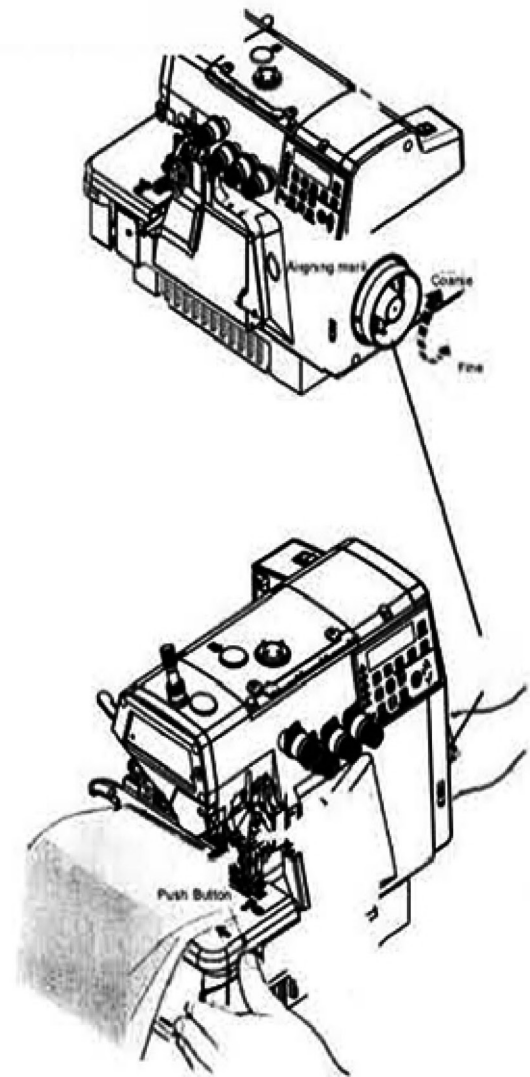
Loosen the adjusting nut 1 and turn the adjusting nut 2 to adjust the differential feed ratio.



8. Adjusting the stitch length

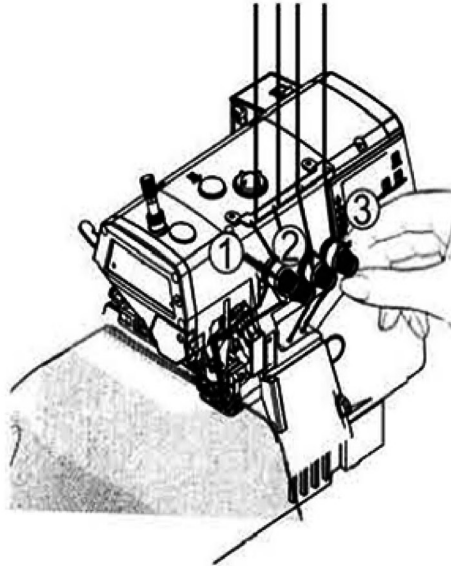
1. While pressing the push button, turn the handwheel to seek the position at which the push button goes further into the depth.
2. Then, keeping the push button pressed, turn the handwheel and set the desired scale to the aligning mark.

Note: Stitch length adjustment must only be made after the differential feed ratio has been changed.



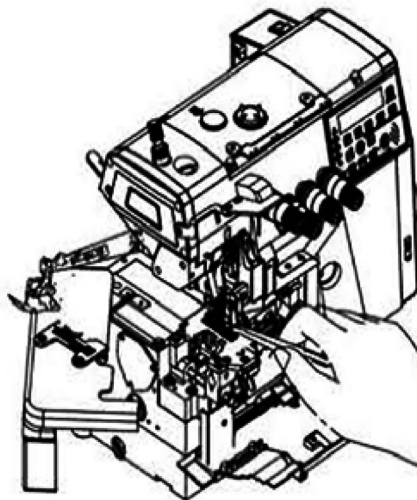
9. Adjusting the thread tension

Make tension adjustments with the needle thread knob 1, the upper looper knob 2, and the lower looper knob 3.



10. Cleaning the machine

Mainly the slots of the needle plate and the feed rows should be cleaned.



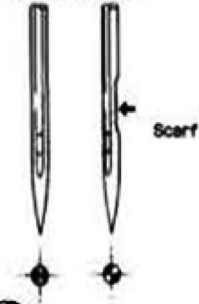
11. Replacing the needle

Check the needle carefully to see that the scarf is turned to the rear of the machine.

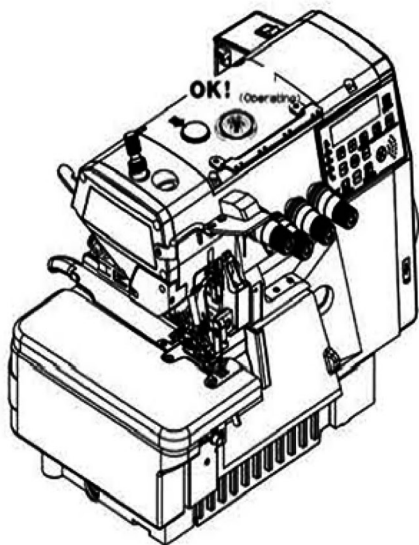
Insert the needle to the proper depth, and fasten securely.

Standard needle: DCx27

OK! NO!

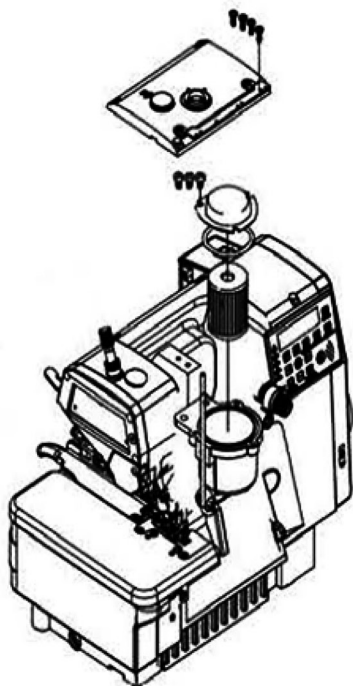


12. Checking the oil circulation



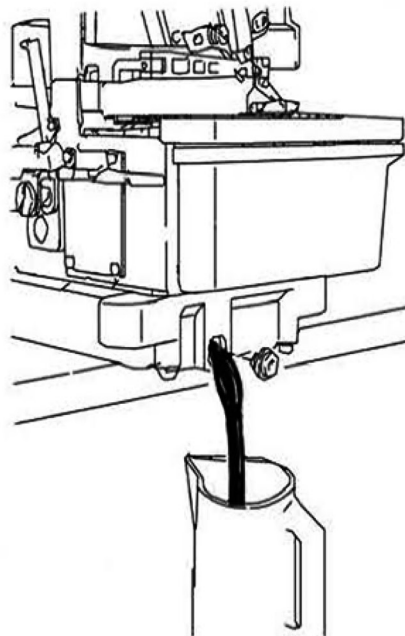
13. Checking and replacing oil filter

Check and replace the oil filter every six months.



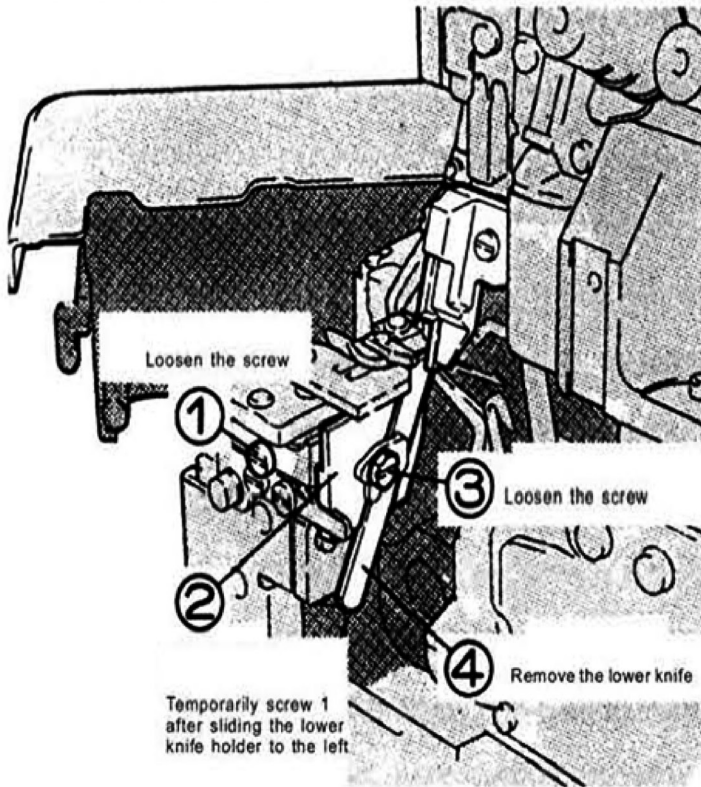
14. Replacing the oil

Replacing the oil one month after the first use and every six months thereafter.

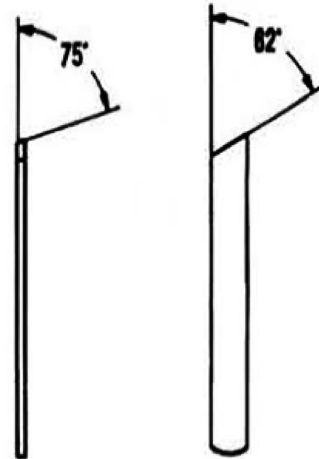


15. Replacing the lower knife

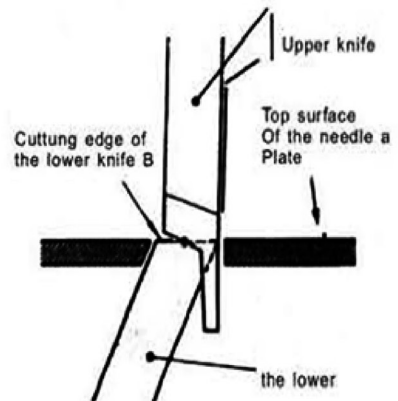
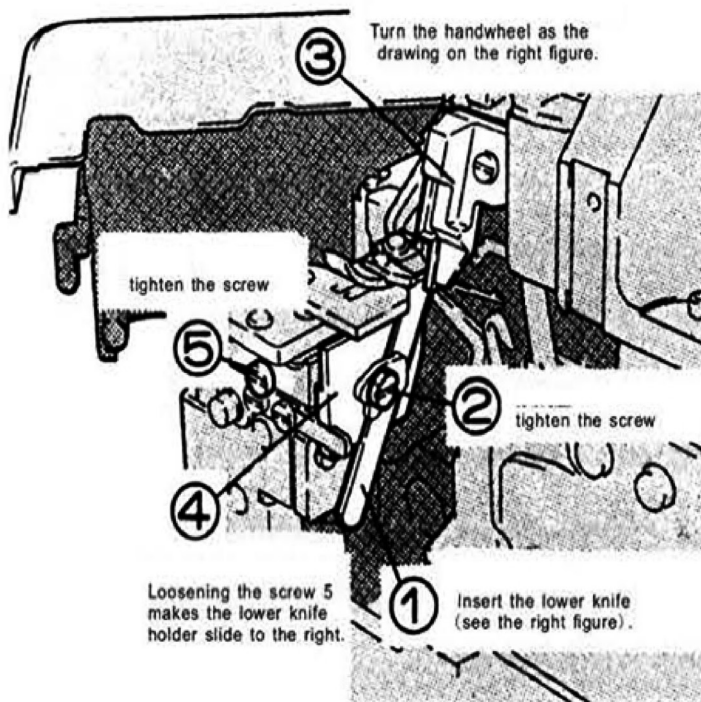
To remove the lower knife



Correct angles to resharpen , the lower knife



To replace the lower knife



Level of [a]=level of [b]

Chek cutting action of knife

Company Name: JUKI SINGAPORE PTE LTD.
ADD: 20 BENDEMEER ROAD, #04-12 BS BENDEMEER CENTRE SINGAPORE 339914
Tel: (65)6553-4388
HP: <http://www.juki.com.sg/>
E-mail: we.sgp-sales@ml.juki.com

Company Name: Juki Machinery Vietnam Company Ltd.
ADD: 153 HOA LAN STR., WARD 2, PHU NHUAN DIST., HO CHI MINH CITY, VIETNAM
Tel: (84)28-35178833
FAX: (84)28-35178318
E-mail: sales@jukinv.com

Company Name: Juki Machinery Bangladesh Ltd
ADD: NATORE TOWER (5TH FLOOR) PLOT#32-D & 32-E, ROAD#02, SECTOR#03,
UTTARA MODEL TOWN, DHAKA, BANGLADESH
Tel: (880)2-48954731
FAX: (880)2-48954733
E-mail: vl.jubl-info@ml.juki.com

Company Name: Juki India Private Limited
ADD: GROUND AND 1ST FLOOR, NO.1090/I, 18TH CROSS ROAD, 3RD SECTOR,
HSR LAYOUT BANGALORE-560 102, KARNATAKA STATE, INDIA
Tel: (91)80-4251-1900
FAX: (91)80-4251-1999
HP: <http://jukiindia.com/>
E-mail: jukiblr@jukiindia.com

Company Name: JUKI CENTRAL EUROPE
ADD: UL. POLECZKI 21 (PLATAN PARK C) 02-822 WARSAW, POLAND
Tel: (48)22-545-0400
FAX: (48) 22-5450411
HP: <http://jukieurope.com/>

Company Name: JUKI America INC
ADD: 8500 NW 17TH STREET, SUITE 100, DORAL, FL 33126-1035, U.S.A.
Tel: (1)305-594-0059
HP: <https://juki.com/>