



GRAND

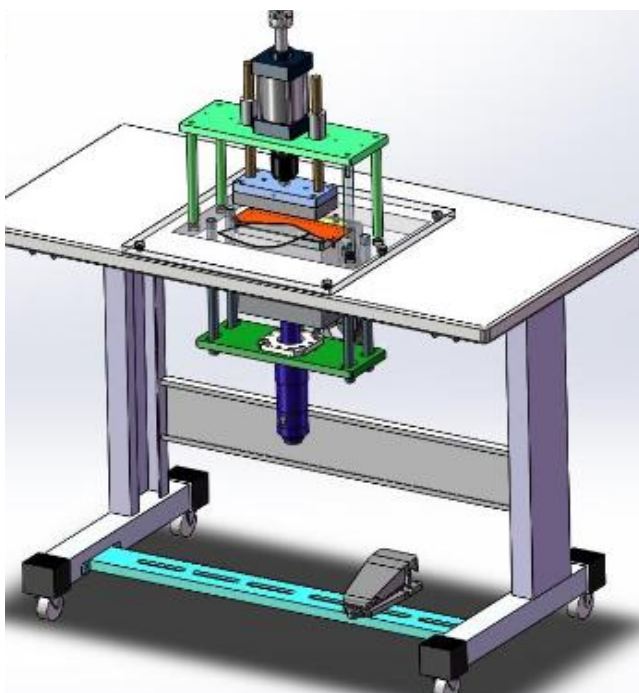
美國百川集團公司

GRAND INTERNATIONAL ENTERPRISE(U.S.A)INC.

1、 **Machine name:** KN95 side close machine

2、 **Use:** The equipment is used for ultrasonic welding and bonding of the folded V-shaped knurled part of KN95 mask.

3、 **The main technical parameters:**



Model	YK-FBJ-01
Mask type	KN95
Material	Non-woven fabric, melt-blown fabric,
Fabric layer amount	3-5
Productivity	20-30pcs/min
Equipment pass rate	≥99%
Voltage	AC220V/50Hz 10A
Size	1200 (L) × 550 (W) × 1250 (H)
Weight	45Kg
Air pressure	0.5--0.6MPa
Ultrasonic parameters	Frequency 20KHZ power 2KW



GRAND

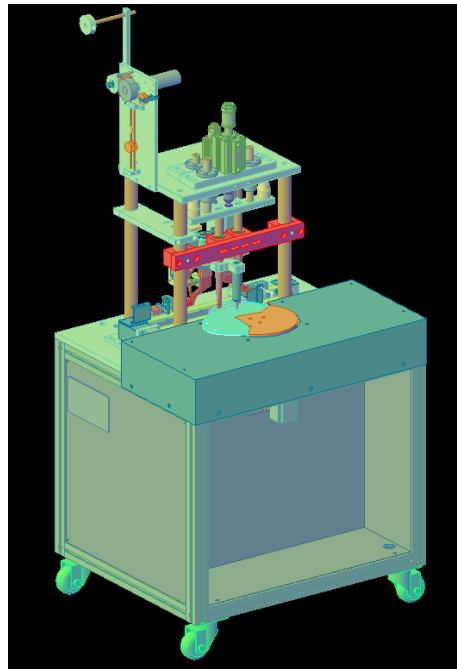
美國百川集團公司
GRAND INTERNATIONAL ENTERPRISE(U.S.A)INC.

1、 **Machine name:** KN95 Earlop connect machine

2、 **Use:** This equipment is used for welding flat masks and N95 mask ear straps.

3、 **The main technical**

parameters:



Model	YK-HEX-01
Mask type	Flat type and KN95
Material	Non-woven fabric, melt-blown fabric,
Fabric layer amount	3-5
Productivity	15-20pcs/min
Equipment pass rate	≥99%
Voltage	AC220V/50Hz 10A
Size	700(L) × 600(W) × 1570(H)
Weight	75Kg
Air pressure	0.5--0.6MPa
Ultrasonic parameters	Frequency 20KHZ power 1.5KW
Length of earlop	175-240MM (default 240MM)



GRAND

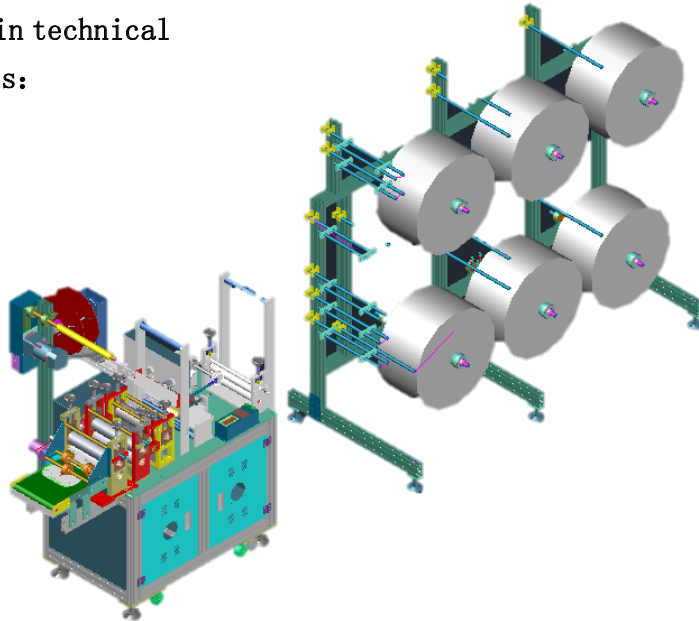
美國百川集團公司

GRAND INTERNATIONAL ENTERPRISE(U.S.A)INC.

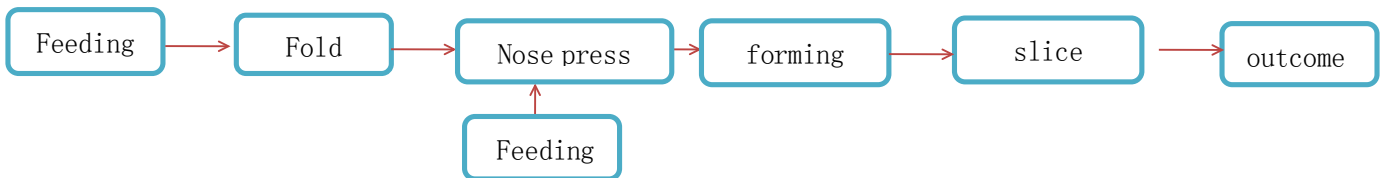
1、 Machine name: KN95 Mask body making machine

2、 Use: This equipment is used for pressing \ welding \ forming \ slicing of KN95 masks.

3、 The main technical parameters:



KN95 Mask body making machine flow chart



Model	YK-N95DPJ-01
Mask type	KN95
Material	Non-woven fabric, melt-blown fabric,
Fabric layer amount	3-6
Productivity	60-70pcs/min
Equipment pass rate	≥99%
Voltage	AC220V/50Hz 10A
Size	3770 (L) × 1300 (W) × 1980 (H)
Weight	275Kg
Ultrasonic parameters	Frequency 20KHZ power 2.6KW



Contact details :

For Juki India Pvt Ltd

Bangalore
Mr. Anil kumar
Mob: 9663300400

Tirupur
Mr. Srikumar
Mob: 9366601494

Kolkata
Mr. Gobinda
Mob: 9330963047

Chennai
Mr. Sridhar
Mob: 9003015369

Mumbai
Mr. BN Panda
Mob: 9898098937

Delhi
Mr. Gopal
Mob: 9811153039

Ludhiana
Mr. Nitin Sikarwar
Mob: 9872030221

Ahmedabad
Mr. Ritesh
Mob: 9909773051